

date
projectname
attn
from
fax
email
phone

12/7/20
royce city
UNKNOWN
sky



U832

Jumbo Roll Toilet Tissue Dispenser

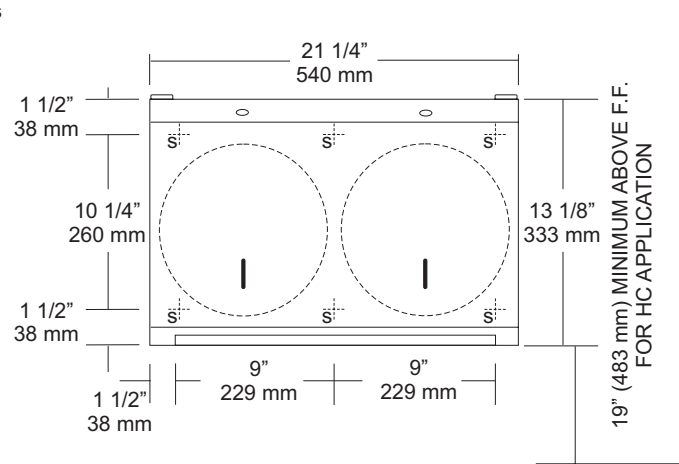
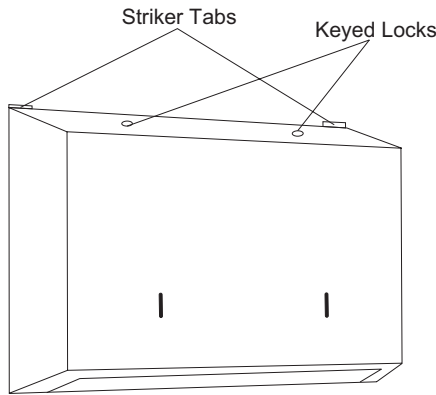
Revision 03/11

JOB #:

ITEM #:

QUANTITY:

MOUNTING	HANDING	TYPE	SIZE	OTHER



SPECIFICATIONS	INSTALLATION
----------------	--------------

Body: Fabricated of #18 ga stainless steel with a #4 satin finish, with one piece unibody construction. Sloping hood prevents articles such as cigarettes on top of unit that may cause a fire. Body equipped with refill viewer.

Cabinet Back: Fabricated of #22 ga stainless steel formed for rigidity. One piece back is equipped with striker tabs.

Tissue Guide: Fabricated of #22 ga stainless steel hemmed and deburred to prevent injury and tissue tearing.

Spindles: Unit is equipped with a solid white ABS spindle and a capped stainless steel 1 1/4" diameter spindle. Unit will hold two 9" diameter rolls with a core diameter of 1 3/8" - 3 1/4". (Non-control delivery)

Hinges: Heavy duty, stainless steel piano type hinge.

Locks: Pin tumbler, commercial quality keyed like all other AJW cabinets.

Overall Size: 21 1/4"W x 13 1/8"H x 4 1/4"D
540mm x 333mm x 108mm

Capacity: Two 9" OD (229mm) jumbo tissue rolls

Provide an area on wall at desired or specified location. Unlock cabinet and place unit on wall making sure cabinet is level. Transfer mounting points to surface and drill pilot holes. Secure unit with proper fasteners per application. Load toilet tissue on spindles and close cabinet.

Toilet Paper Dispensers: All dispensers that are to meet ADA code cannot have any type of controlled delivery. (4.16)

NOTES

Formerly Model #: U832A