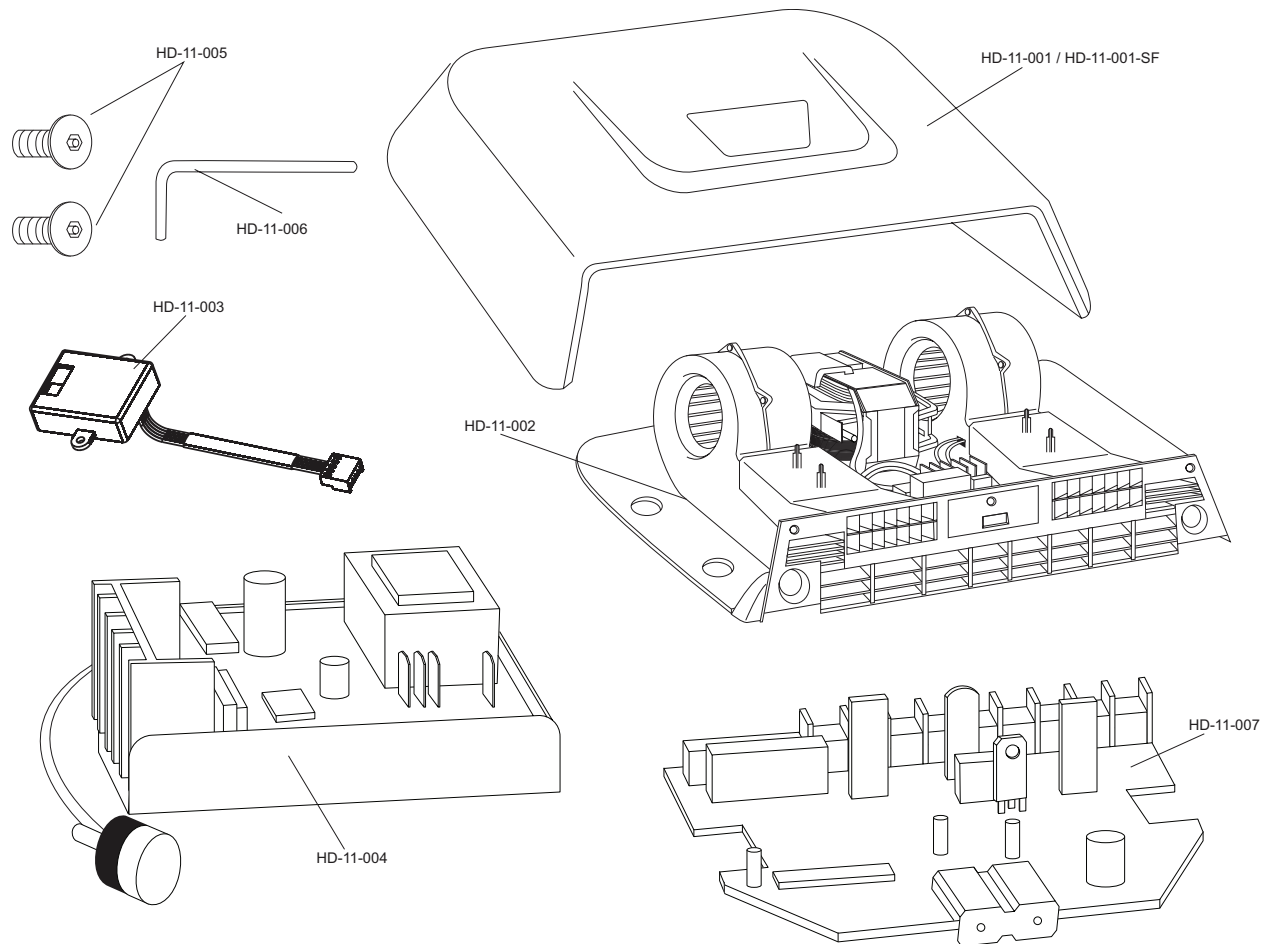


U1511EA Hand Dryer

Troubleshooting



TROUBLESHOOTING

1. The dryer will not run:

First ensure that the breaker supplying the dryer is operational. If it is, disconnect the power and remove the dryer cover. Taking suitable precautions to avoid shock hazard, reconnect the power and check for voltage at the wire leads. If there is power and the dryer will not run, replace circuit board.

2. The dryer cycles by itself, runs all the time or is not sensitive enough:

Ensure that there is no obstruction on or in front of the infra-red lens. Disconnect the power. Remove the dryer cover and the screws holding the circuit board. Ensure there are no obstructions between the infra-red "eyes" on the circuit board and the lens. If the problem persists, replace the circuit board.

3. The elements get hot but the motor does not turn:

Disconnect the power. Remove the dryer cover and check for obstructions in the fan housings. **Damaged fans must be replaced.** If there are no obstructions, the motor can be replaced.

4. The motor runs but the elements do not get hot:

Disconnect the power and remove the dryer cover. Check for loose or damaged wires. Remove the access cover on the blower housing. Check the element for signs of burning or breakage. Damaged elements must be replaced. If the element does not appear damaged, disconnect it at the circuit board and check for continuity across the two element wires. An open circuit indicates damage to the integral temperature

CARE & MAINTENANCE

Proper maintenance should be performed on the units at least every 6 months under normal use

1. Disconnect the electrical supply
2. Use the security hex driver to remove the three cover-mounted screws
3. Remove cover
4. Clean all dust and lint from the interior of the dryer
5. Replace the cover. Do not over tighten the screws
6. Wipe cover with a damp cloth. Never use abrasives to clean the cover

Note: Cleaning and maintenance must be performed by qualified electrical personnel