



# U920

## Retractable Bariatric Shower Bench

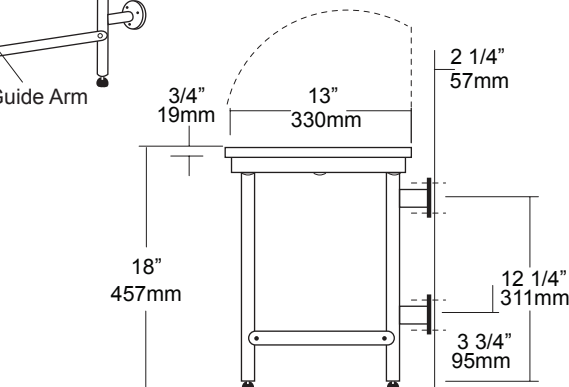
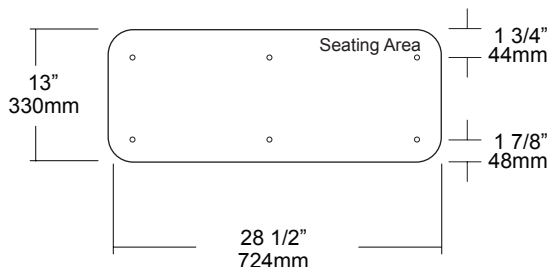
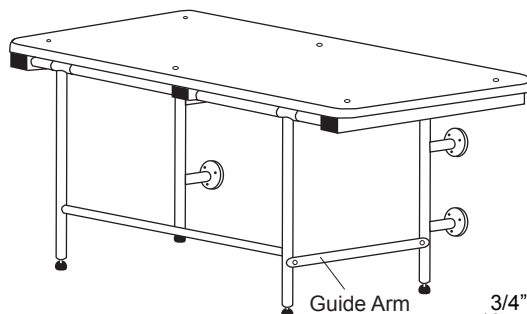
Revision 10/15

JOB #:

ITEM #:

QUANTITY:

MOUNTING	HANDING	TYPE	SIZE	OTHER



### SPECIFICATIONS

- Seat:** Fabricated of 3/4" thick, one piece polymers (white) with all leading edges having a radius to prevent injury. Seat is secured to frame with countersunk carriage bolts and acorn nuts.
- Tubing:** Fabricated of #18 ga stainless steel with #4 satin finish.
- Main Frame:** 1 1/4" diameter square tubing with capped ends. Underside has no exposed fasteners. ,
- Flanges:** #18 gauge stainless steel with four (4) exposed mounting points. (Satin finish)
- Shower Bench:** When mounted properly seat will be 18" above finished floor with 1/2 adjustability to level seat. Wall/floor design provides maximum support and equal distribution of weight. Seat has been tested to maintain a 1300 lb static load.
- Overall Size:** 28 1/2"W x 13"D (seating area)  
724mm x 330mm

### INSTALLATION

To comply with ADA Code, seat should be mounted at a height 17"-19" above finished floor. Check all state and local codes for building requirements. Standard seat will mount at 18" above finished floor. Recommend in wall mounting on all shower seats. (BP10) Place seat up against wall making sure the extended part of seat has an offset no more than 2 1/2" away from wall. Transfer mounting points to wall surface and drill pilot holes. Secure seat to surface with proper fasteners per each application. Snugly secure seat to surface and check seat to be level. If seat is level raise and lower seat to check path of travel. Finish securing seat after checking seat for proper operation. When properly mounted seat will support up to 1300 lbs and will conform with ADA Code 4.21.3 and 4.26.3

Note: Seat has been tested to support a static and drop test load of 1300 lbs.

### NOTES