



# U169EA-SR

Roll Towel Dispenser

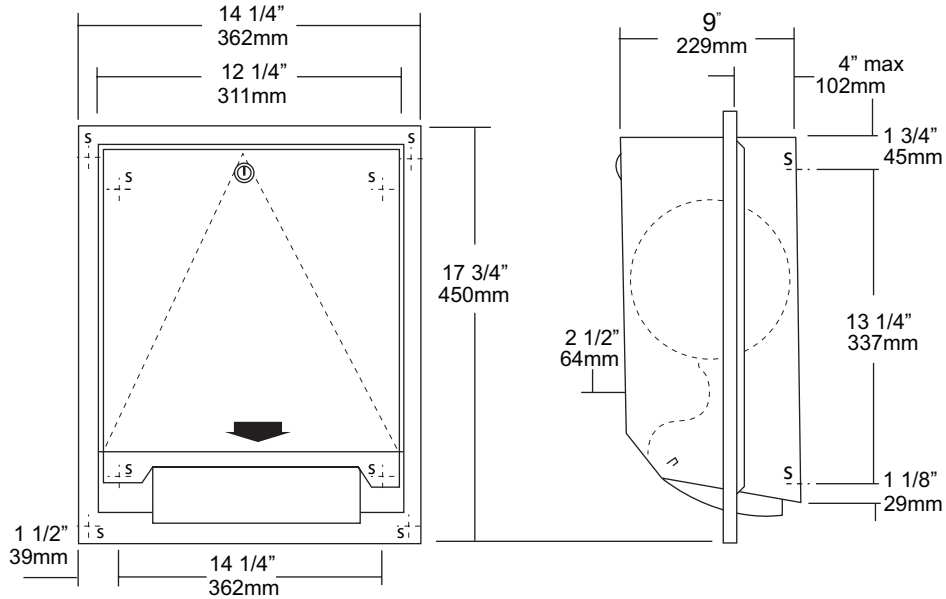
Revision 05/12

JOB #:

ITEM #:

QUANTITY:

MOUNTING	HANDING	TYPE	SIZE	OTHER



## SPECIFICATIONS

**Cabinet Body:** Fabricated of #22 ga stainless steel with #4 satin finish.

**Cabinet Door:** Fabricated of #18 ga stainless steel, #4 satin finish.

**Back:** #22 ga stainless steel, with key hole slots for mounting.

**Roll Towel Mechanism:** Internal mechanism is fabricated of high impact plastic operated by an automatic sensor.

**Sensor:** Operated by four (4) D cell batteries (not included). After batteries and paper have been properly installed, pass hands through sensor range to activate motor. After unit has 30 seconds to calibrate, it is ready to dispense. It takes aprx. 6 dispenses to adjust to the proper paper length. After the sensor range has been interrupted, paper will not be dispensed until sensor range has been cleared to reset.

**Semi-Recessing Flange:** #22 gauge stainless steel with 1/4" returns for maximum rigidity. One piece construction without miters or welds along with a #4 satin finish will match rest of cabinet. Adjustable flange recessing depth is 3 1/4" - 5".

**Overall Size:** 14 1/4"W x 17 3/4"H x 9"D  
**362mm x 450mm x 267mm**

**Wall Opening:** 12 1/2"W x 16 1/2"H x 3 1/4"D-5"D  
**318mm x 457mm x 95mm**

**Capacity:** One standard size roll of 8" or 9" wide. (Use only non-perforated towels). One stub roll up to 2 3/4" OD

**\*Recommended 600ft roll for best results.**

## INSTALLATION

Provide an area on mounting surface at desired or specified location. Coordinate installation with architect / contractor. Open cabinet door, place unit against wall making sure unit is level and transfer mounting points. Top of cabinet should be no higher than 48" above finished floor to comply with ADA Code. Secure cabinet to wall surface with proper fasteners for each application. Load towels in cabinet per instruction label.

## NOTES

Formerly Model #: U169A/199EA-SR