

date  
projectname  
attn  
from  
fax  
email  
phone

11222018  
Ech. Entergy  
Louis  
Louis  
6015109634  
mminstallers@aol.com  
6019550164



# U6104EA

Uni-Door Hands Free Towel Dispenser

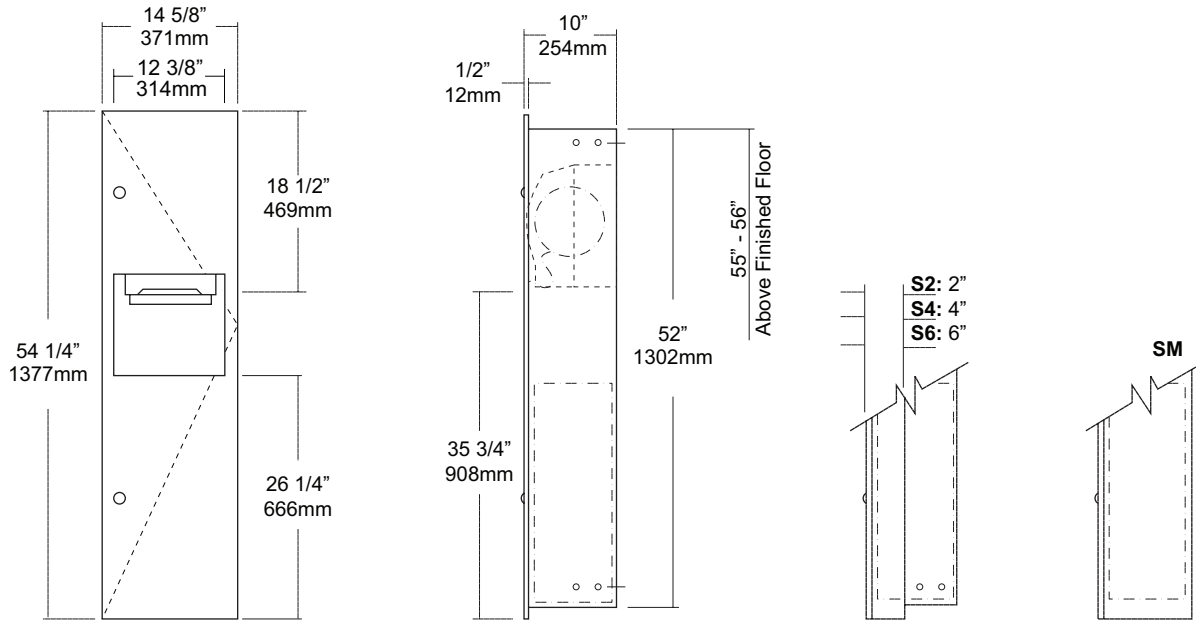
Revision 07/11

JOB #:

ITEM #:

QUANTITY:

| MOUNTING | HANDING | TYPE | SIZE | OTHER |
|----------|---------|------|------|-------|
|          |         |      |      |       |



### SPECIFICATIONS

**Body:** Fabricated of #22 ga stainless steel with a #4 satin finish.

**Flange:** Fabricated of #22 ga stainless steel, satin finish with no miters or welds and 1/4" returns.

**Uni-Door:** Fabricated of #18 ga stainless steel, #4 satin finish with 1/2" returns and full length door stops.

**Back:** stainless steel formed for rigidity with multiple welds to cabinet body.

**Automatic Dispenser:** Operated by 4 "D" cell alkaline batteries (not included) that will dispense one standard roll 8" wide with a maximum 7 3/4" OD. Automatic sensor will dispense a re-measured amounts of paper each time and will not dispense paper again until sensor range is cleared and allowed to reset itself.

**Removable Waste:** Removable steel waste.

**Hinge:** Full length, stainless steel piano type hinge.

**Locks:** Commercial quality, pin tumbler keyed alike.

**Collars:** 304 #22 ga stainless steel matches cabinet finish.

**Overall Size:** 14 5/8"W x 54 1/4"H x 10"D  
 371mm x 1378mm x 254mm

**Wall Opening:** 12 3/4"W x 52"H x 9 3/4"D  
 324mm x 1334mm x 248mm

**Towel Capacity:** One standard roll up to 8" wide (non-perforated)

**Waste Capacity:** 11.25 gallons (1.5 cu ft)

**\*Recommended 600ft roll for best results.**

**U6104EA-S2:** Semi-recessed 2" collar with 6" wall opening

**U6104EA-S4:** Semi-recessed 4" collar with 6" wall opening

**U6104EA-S6:** Semi-recessed 6" collar with 4" wall opening

**U6104EA-SM:** Surface mounted

**Options:**

**-VL1:** Reusable vinyl liner

### INSTALLATION

Coordinate installation with contractor and architect to avoid interference with pipes vents etc. Provide a rough wall opening 12 3/4"W x 52 1/2"H. Wall opening depth will depend on style mounting. If a collar is required, slip over back of unit. Remove waste & install unit in opening. Make sure cabinet will sit flush in wall and secure with proper fasteners per application. Install waste back into cabinet, install batteries and load paper towels.

When cleaning cabinet, use a soft cloth, a non-abrasive or chloric solutions.

### NOTES



**U815**  
Toilet Tissue Dispenser & Shelf  
Combination Unit

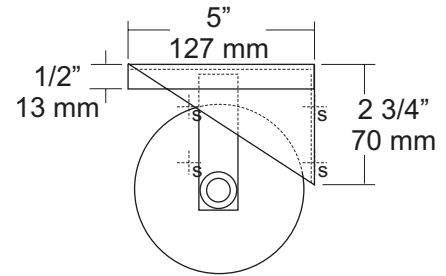
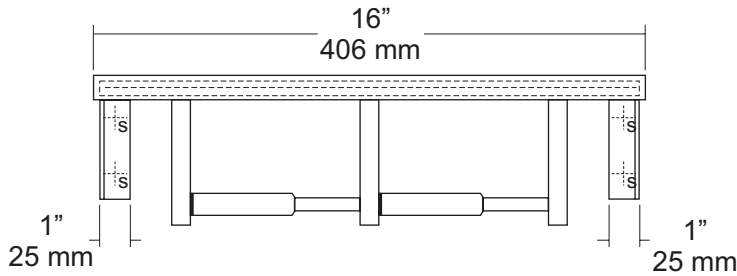
Revision 03/11

JOB #:

ITEM #:

QUANTITY:

| MOUNTING | HANDING | TYPE | SIZE | OTHER |
|----------|---------|------|------|-------|
|          |         |      |      |       |



**SPECIFICATIONS**

**Shelf:** Fabricated of #18 gauge stainless steel with a #4 satin finish. Sides of shelf are bent down 1/2" with front edge bent down 1/2" along with 1/2" returns back for added rigidity and safety.

**Brackets:** Fabricated of #18 gauge stainless steel formed for maximum strength.

**Toilet Tissue Dispenser:** Fabricated of stainless steel with a #4 satin finish. (UX142-SF)

**Rollers:** High impact, chrome plated ABS that is spring loaded.

**U007 Theft Resistant Adapter:** Prevents spindle from being removed until roll has been depleted.

**Overall Size:** 16"W x 4"H x 5"D

**406mm x 102mm x 127mm**

**Capacity:** One standard rolls with a 5 1/4" (133mm) OD.

**INSTALLATION**

Place unit against mounting surface. Making sure unit is level, transfer mounting point locations and drill pilot holes. Secure with proper fasteners per each application. Install toilet tissue rolls.

Toilet Paper Dispensers: All dispensers that are to meet ADA code cannot have any type of controlled delivery. (4.16)

**NOTES**

Formerly Model #: U815-42



# U8504

Uni-Door Seat Cover Dispenser

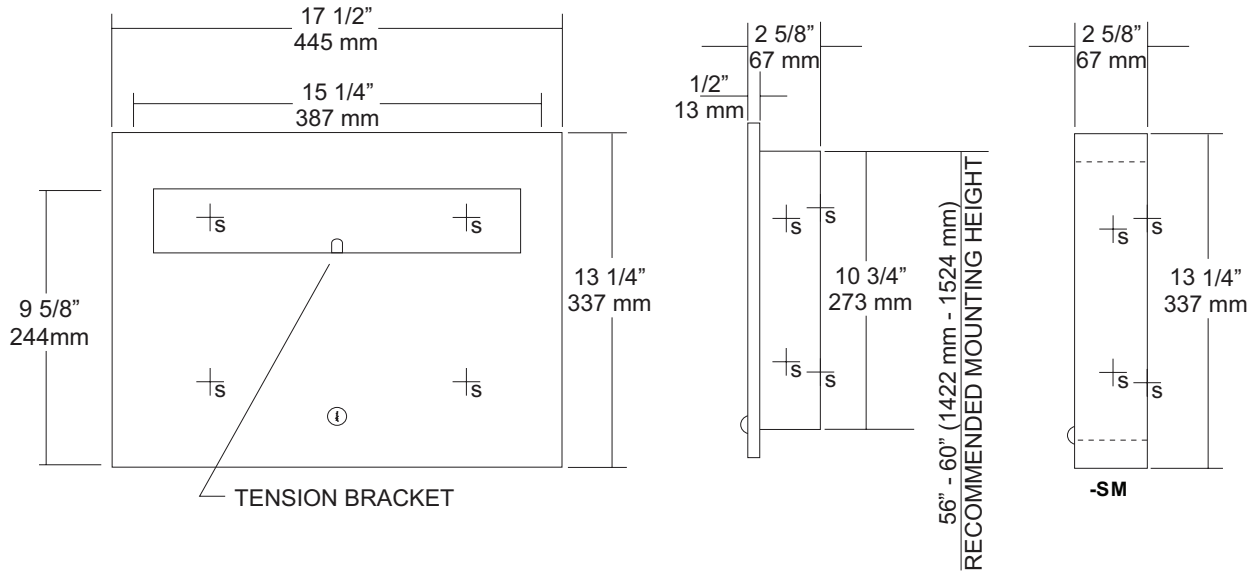
Revision 05/11

JOB #:

ITEM #:

QUANTITY:

| MOUNTING | HANDING | TYPE | SIZE | OTHER |
|----------|---------|------|------|-------|
|          |         |      |      |       |



## SPECIFICATIONS      INSTALLATION

**Body:** Fabricated of #22 gauge stainless steel with a #4 satin finish on all exposed surfaces.

**Flange:** #22 gauge stainless steel with 1/4" returns to wall without any miters.

**Uni-Door:** #18 ga stainless steel door. Seat cover dispensing area (on both units) are deburred and polished smooth to avoid paper tearing and injury.

**Hinge:** Full length, stainless steel piano type hinge.

**Lock:** Pin tumbler commercial quality, keyed like all other AJW cabinets.

**Overall Size:** 17 1/2"W x 13 1/4"H x 2 5/8"D  
**445mm x 337mm x 68mm**

**Wall Opening:** 15 3/4"W x 11 1/4"H x 2 5/8"D  
**400mm x 286mm x 60mm**

**U8504-SM:** Surface mounted unit

**Capacity:** 500 seat covers

Provide required wall opening at desired or specified location with coordination with architect or contractor to avoid interference with pipes, vets, etc. Unlock cabinet and place unit in opening. Secure to rough framing with proper fasteners per each application. Fill dispenser with product and secure cabinet door.

## NOTES



# U864

## Waste Disposal & Toilet Tissue Dispenser Combination Unit

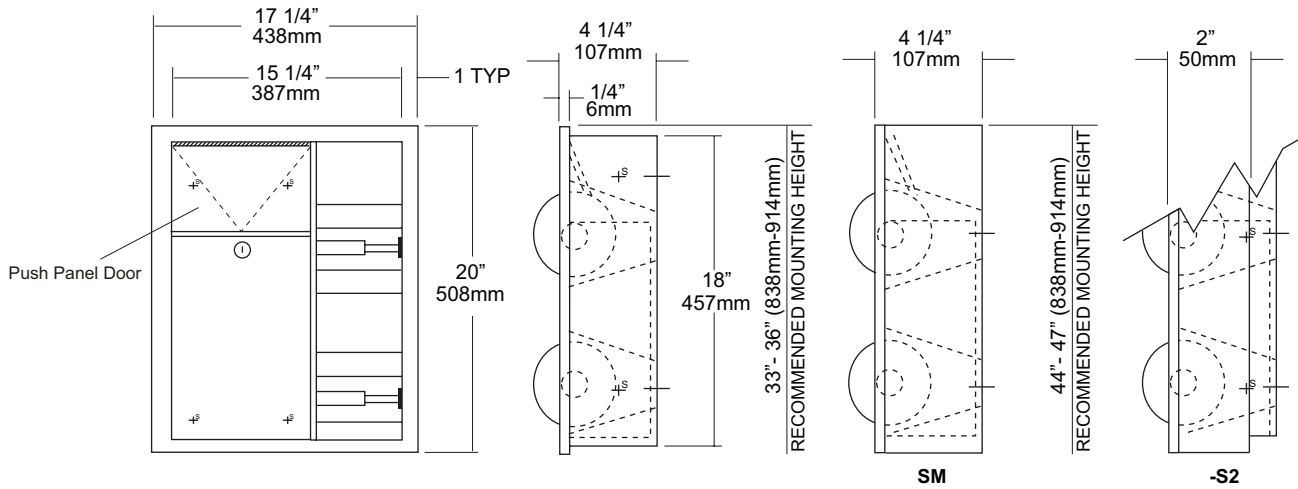
Revision 05/11

JOB #:

ITEM #:

QUANTITY:

| MOUNTING | HANDING | TYPE | SIZE | OTHER |
|----------|---------|------|------|-------|
|          |         |      |      |       |



### SPECIFICATIONS

**Cabinet:** Fabricated of #22 gauge stainless steel. All exposed surfaces have a #4 satin finish.

**Flange:** Fabricated of #22 gauge stainless steel one-piece drawn seamless construction. No seams or exposed miters with 1/4" returns to wall surface.

**Napkin Disposal:** Self closing push panel door is fabricated of #22 gauge stainless steel. Removable Waste is fabricated of same material with pin tumbler lock. Waste is identified with International Graphic symbol.

**Toilet Tissue Dispenser:** #22 gauge stainless steel hat adapters secure chrome plated, spring loaded rollers in place.

**U007 Theft Resistant Adapters:** Optional style rollers that prevent core from being removed until roll has been depleted.

**Hinges:** All hinges are full length, heavy duty, stainless steel piano type hinges.

**Collars:** #22 ga stainless steel finished to match cabinet.

**Overall Size:** 17 1/4"W x 20"H x 4 1/4"D  
438mm x 508mm x 108mm

**Wall Opening:** 15 3/4"W x 18 1/2"H x 4"D  
400mm x 470mm x 102mm

**U864-S2:** 2" semi-recessed. collar, 2" wall opening, 51 mm

**U864-SM:** Full surface mounted collar.

**Waste Capacity:** 2 Gallons (.26 cu ft)

**Toilet Tissue:** Two standard rolls with a 5 1/4" (133mm) OD.

### INSTALLATION

Provide rough wall opening at desired or specified location of 15 3/4"W x 18 1/2"H. (Depth of opening will depend on type mounting required.) Place lower unit in opening to ensure proper fit. If unit fits properly in opening, secure with proper fasteners per application.. If collars are required, place collar onto the units from the back before securing to mounting area. Fill toilet tissue rolls.

Toilet Paper Dispensers: All dispensers that are to meet ADA code cannot have any type of controlled delivery. (4.16)

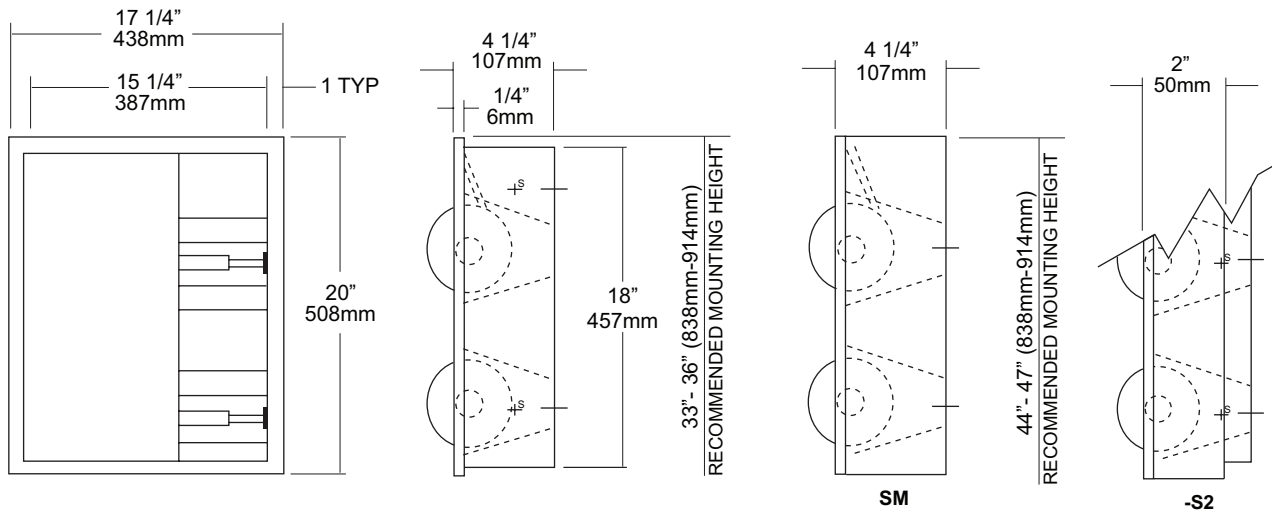
### NOTES

JOB #:

ITEM #:

QUANTITY:

| MOUNTING | HANDING | TYPE | SIZE | OTHER |
|----------|---------|------|------|-------|
|----------|---------|------|------|-------|



### SPECIFICATIONS

**Cabinet:** Fabricated of #22 gauge stainless steel. All exposed surfaces have a #4 satin finish.

**Flange:** Fabricated of #22 gauge stainless steel one-piece drawn seamless construction. No seams or exposed miters with 1/4" returns to wall surface.

**Toilet Tissue Dispenser:** #22 gauge stainless steel hat adapters secure chrome plated, spring loaded rollers in place.

**U007 Theft Resistant Adapter:** Prevents spindle from being removed until roll has been depleted.

**Hinges:** All hinges are full length, heavy duty, stainless steel piano type hinges.

**Collars:** #22 ga stainless steel finished to match cabinet.

**Overall Size:** 17 1/4"W x 20"H x 4 1/4"D  
**438mm x 508mm x 108mm**

**Wall Opening:** 15 3/4"W x 18 1/2"H x 4"D  
**400mm x 470mm x 102mm**

**U864A-S2:** 2" semi-recessed. collar, 2" wall opening, 51 mm

**U864A-SM:** Full surface mounted collar.

**Toilet Tissue:** Two standard rolls with a 5 1/4" (133mm) OD.

### INSTALLATION

Provide rough wall opening at desired or specified location of 15 3/4"W x 18 1/2"H. (Depth of opening will depend on type mounting required.) Place lower unit in opening to ensure proper fit. If unit fits properly in opening, secure with proper fasteners per application.. If collars are required, place collar onto the units from the back before securing to mounting area. Fill toilet tissue rolls.

Toilet Paper Dispensers: All dispensers that are to meet ADA code cannot have any type of controlled delivery. (4.16)

### NOTES



# U865A

Toilet Tissue Dispenser

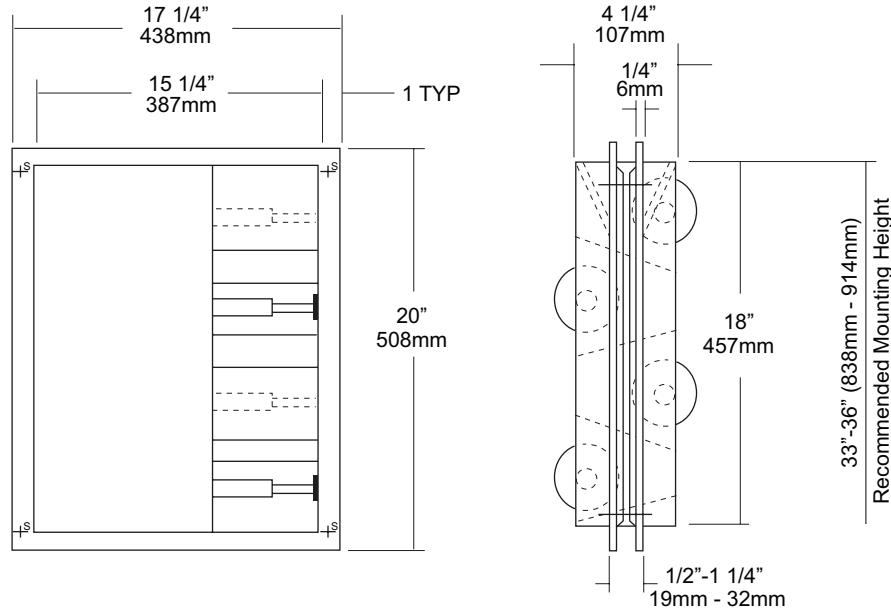
Revision 03/11

JOB #:

ITEM #:

QUANTITY:

| MOUNTING | HANDING | TYPE | SIZE | OTHER |
|----------|---------|------|------|-------|
|          |         |      |      |       |



## SPECIFICATIONS

**Cabinet:** Fabricated of #22 gauge stainless steel. All exposed surfaces have a #4 satin finish.

**Adj. Flanges:** Fabricated of #22 gauge stainless steel one-piece drawn seamless construction. No seams or exposed miters with 1/4" returns to wall surface. (Exposed mounting points)

**Napkin Disposal:** Self closing push panel door is fabricated of #22 gauge stainless steel. Removable Waste is fabricated of same material with pin tumbler lock. Waste is identified with International Graphic symbol.

**Toilet Tissue Dispenser:** #22 gauge stainless steel hat adapters secure chrome plated, spring loaded rollers in place.

**U007 Theft Resistant Adapter:** Prevents spindle from being removed until roll has been depleted.

**Hinges:** All hinges are full length, heavy duty, stainless steel piano type hinges.

**Overall Size:** 17 1/4"W x 20"H x 4 1/4"D  
 438mm x 508mm x 108mm

**Adjustable to fit partitions 1/2" - 1 1/4" thick.**

**Wall Opening:** 15 3/4"W x 18 1/2"H  
 400mm x 470mm

**Toilet Tissue:** Four standard rolls with a 5 1/4" (133mm) OD.

## INSTALLATION

Provide rough wall opening at desired or specified location of 15 3/4"W x 18 1/2"H. (Depth of opening will depend on type mounting required.) Place lower unit in opening to ensure proper fit. If unit fits properly in opening, secure with proper fasteners per application.. If collars are required, place collar onto the units from the back before securing to mounting area. Fill toilet tissue rolls.

Toilet Paper Dispensers: All dispensers that are to meet ADA code cannot have any type of controlled delivery. (4.16)

## NOTES