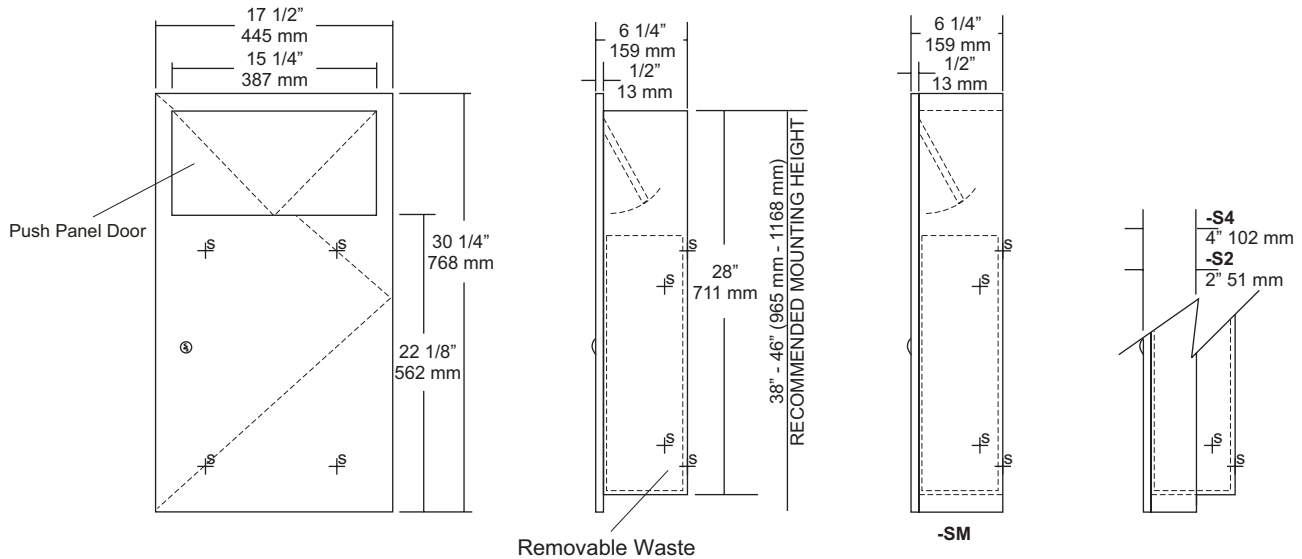


date	8-5-20
projectname	1
attn	1
from	
fax	
email	
phone	

MOUNTING	HANDING	TYPE	SIZE	OTHER



### SPECIFICATIONS      INSTALLATION

**Body:** Fabricated of #22 gauge stainless steel with #4 satin finish on all exposed areas.

**Uni-Door:** Fabricated of #18 gauge, one piece stainless steel secured to body by means of a full length heavy duty stainless steel piano type hinge.

**Push Door:** #22 gauge stainless steel self closing door.

**Flange:** Fabricated of #22 gauge stainless steel finished to match cabinet. One piece construction without miters or welds with 1/4" returns to wall.

**Removable Waste:** Heavy duty pre-plated steel with large service handle for easy servicing.

**Back:** Fabricated of stainless steel formed for rigidity with multiple welds to cabinet.

**Locks:** Pin tumbler commercial quality type, keyed like all other AJW cabinets.

**Collars:** Fabricated of #22 gauge stainless steel sized and finished to match cabinet, surf mount & semi-recessed.

**Overall Size:** 17 1/2"W x 30 1/4"H x 6 1/4"D  
**445mm x 768mm x 159mm**

**Wall Opening:** 15 3/4"W x 28 1/2"H x 6"D  
**400mm x 724mm x 152mm**

**U4404-S2:** 2" semi-recessed. collar with 4" (102mm) wall opening

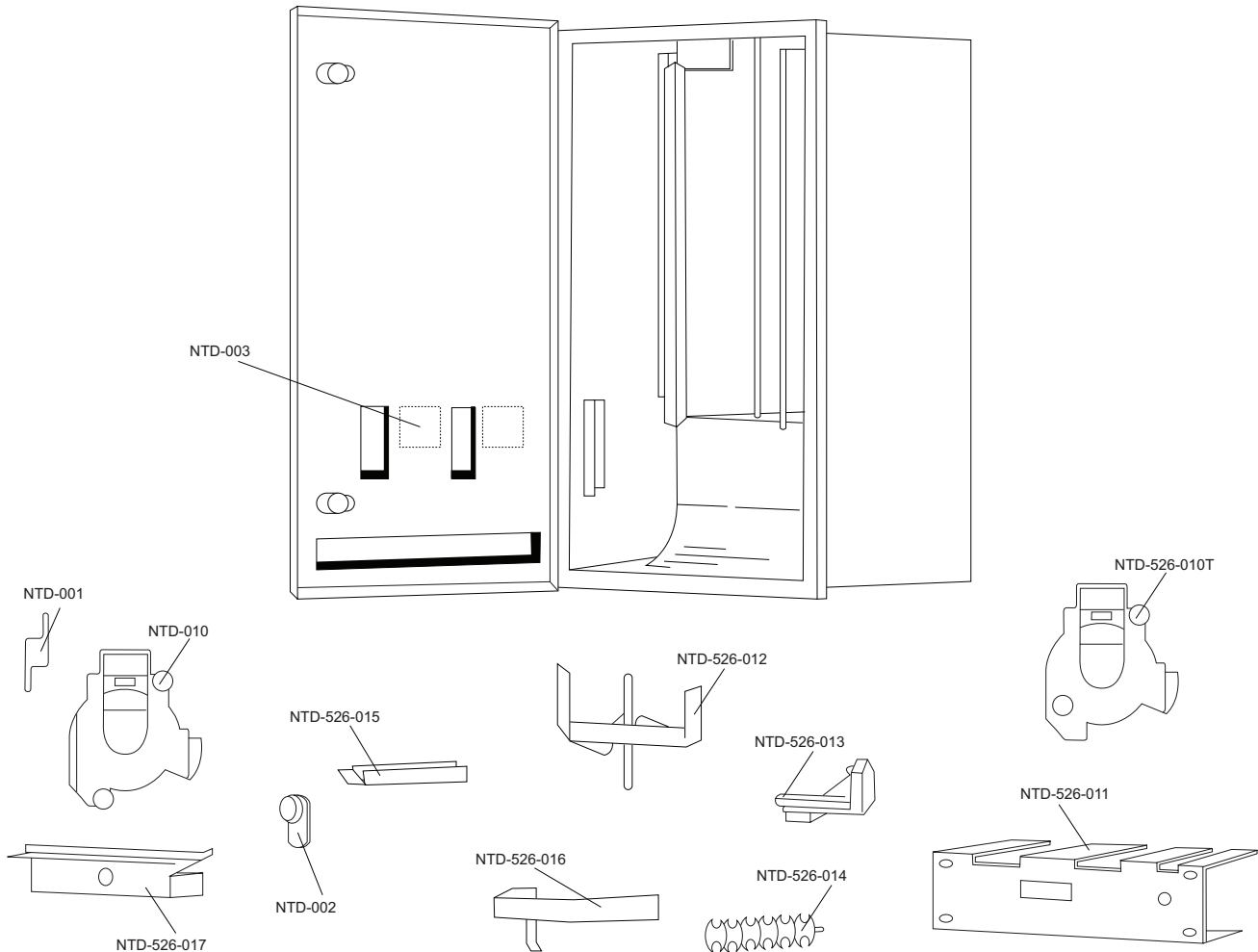
**U4404-S4:** 4" semi-recessed. collar with 2" (51mm) wall opening

**U4404-SM:** Surface Mounted

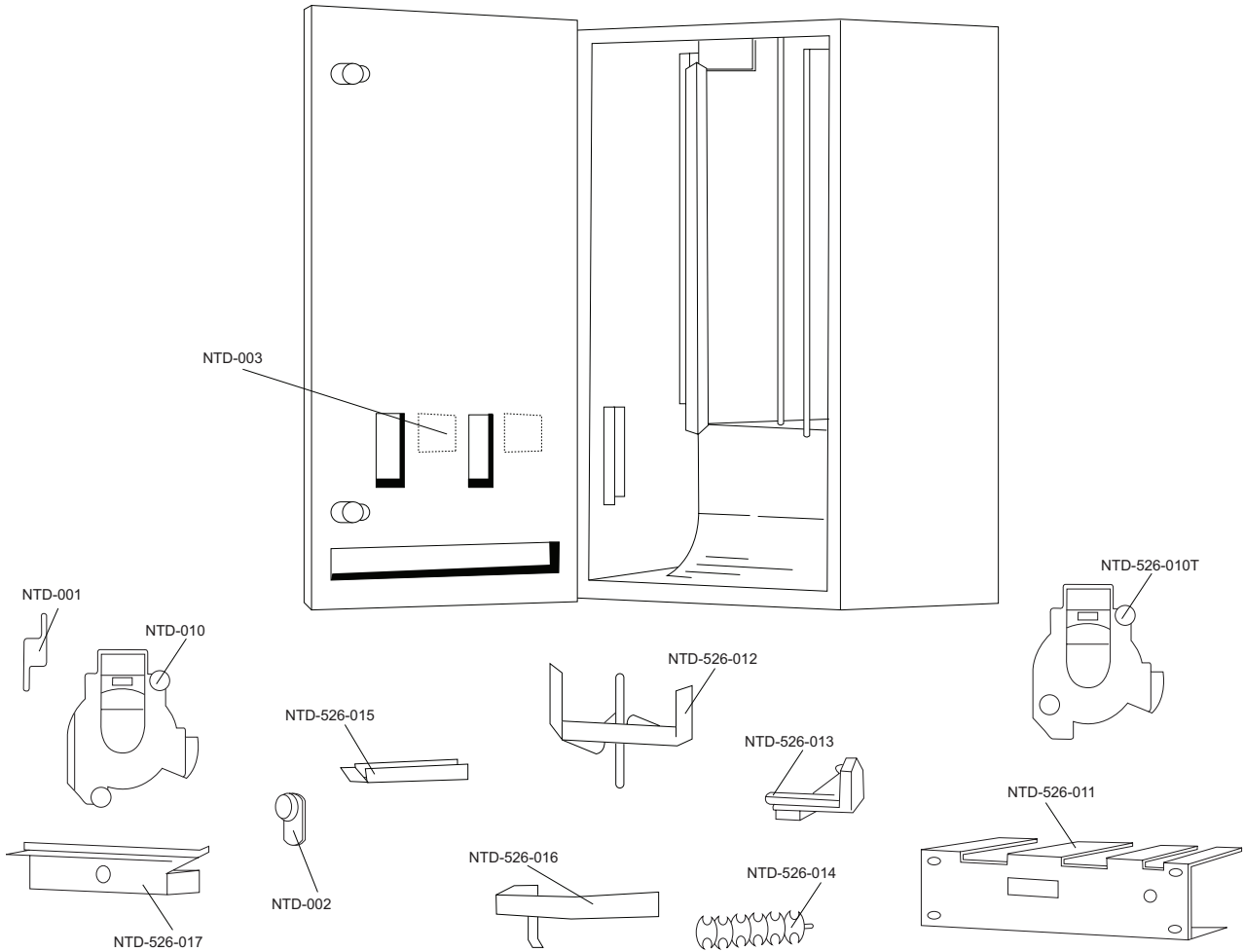
**Waste Capacity:** 6.5 gallons (.8 cu ft)

Coordinate installation with architect and contractor. Provide a wall opening 15 3/4"W x 28 1/2"H. Wall depth will vary will vary if collars are required. Open bottom door and remove waste from cabinet and insert in wall opening. Secure unit with proper fasteners per each application. Make sure unit is plumb. After unit has been secured, place waste back into cabinet and secure door.

### NOTES



Part Number	Part Description
NTD-001	Turn knob with set screw
NTD-002	HL100 lock & key
NTD-003	Coin & denomination label
NTD-526-011	Mounting plate
NTD-526-012	Two stack finger plate
NTD-526-013	Flipper horn
NTD-526-014	Tampon rotor
NTD-526-015	Tampon weight
NTD-526-016	Napkin weight
NTD-526-10N	Coin mechanism for napkin dispenser only (.10, .25, .50 & Free)
NTD-010	Coin mechanism for tampon dispenser (.10, .25, .50 & Free)
NTD-526-017	Coin box



Part Number	Part Description
NTD-001	Turn knob with set screw
NTD-002	HL100 lock & key
NTD-003	Coin & denomination label
NTD-526-011	Mounting plate
NTD-526-012	Two stack finger plate
NTD-526-013	Flipper horn
NTD-526-014	Tampon rotor
NTD-526-015	Tampon weight
NTD-526-016	Napkin weight
NTD-526-10N	Coin mechanism for napkin dispenser only (.10, .25, .50 & Free)
NTD-010	Coin mechanism for tampon dispenser (.10, .25, .50 & Free)
NTD-526-017	Coin box



# U526-SM

Surface Mounted Sanitary Napkin & Tampon Dispenser

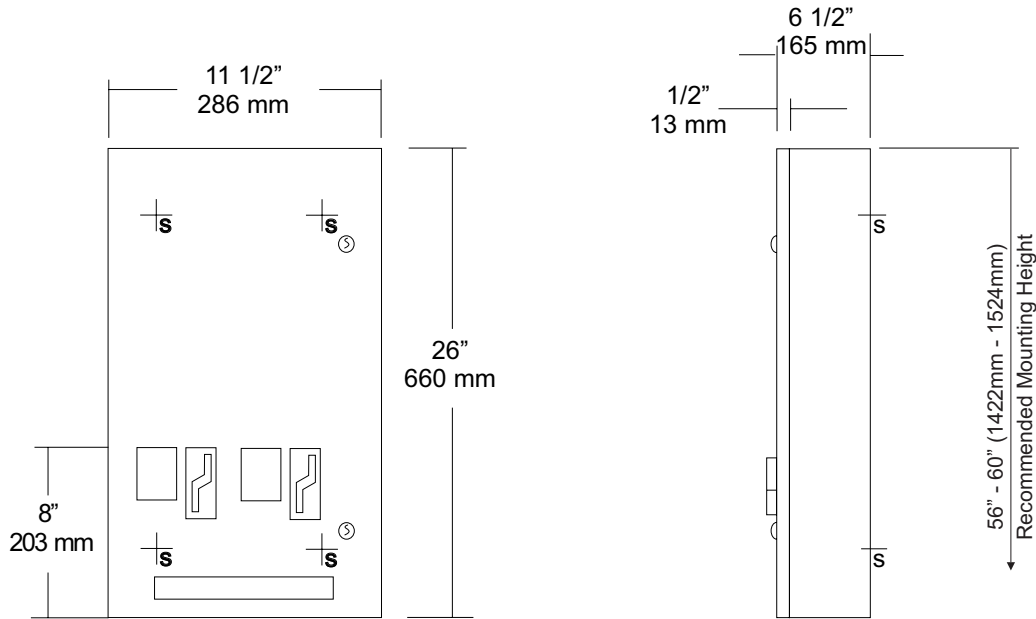
Revision 03/11

JOB #:

ITEM #:

QUANTITY:

MOUNTING	HANDING	TYPE	SIZE	OTHER



### SPECIFICATIONS

**Door:** Fabricated of #18 ga stainless steel with #4 satin finish. Door has 1/2" returns for rigidity.

**Body:** Fabricated of #22 ga stainless steel with a #4 satin finish.

**Coin Mechanisms:** Two independent, trouble free turn knob mechanisms, with an "EMPTY" indicator that does not allow coins to be inserted into mechanism when product has been depleted. Operational with one hand with less than 5 lbs of force without tight grasping. Can be operated with palm, elbow or forearm if user has a physical impairment. (Free, .5, .10, .25, .50)

**Hinges:** Full length, heavy duty, stainless steel piano type hinge.

**Locks:** Pin tumbler, commercial quality, keyed like all other AJW cabinets. \*(Coin box keyed differently then the door for security)

**Overall Size:** 11 1/2"W x 26"H x 6 1/2"D  
**292mm x 660mm x 165mm**

**Capacity:** Napkins: 30, Tampons: 27

**Verify Coinage:** Napkin \_\_\_\_\_ Tampon \_\_\_\_\_

**Recommended Package Sizes:**

**Napkins:**

**Min:** 2 5/8"W x 4 1/8"L x 3/4"H

**Max:** 3 1/8"W x 4 1/2"L x 1 1/8"H

**Tampons:**

**Min:** 5/8" Dia. x 4 1/4"L

**Max:** 3/4" Dia. 5 1/8"L

### INSTALLATION

Coordinate installation with architect or contractor to avoid interference with pipes, vents, etc. Open cabinet and transfer mounting points to wall surface after location is verified. Drill pilot holes and secure with proper fasteners per each application. Fill each chute with the proper products and make certain to place weights on the top product. Test operation of mechanism and dispensing of product before securing cabinet. Each cabinet comes with a parts list for ordering replacement parts if ever required.

\*Note: Adjustable flange can be added to make unit Semi-Recessed. When mounted properly, unit will comply with ADA Code 4.27.4

### NOTES

Formerly Model #: U527

## U526-SM Installation Instruction Sheet

NTD-001	Turn knob with set screw
NTD-002	HL100 lock & key
NTD-003	Coin & denomination label
NTD-526-011	Mounting plate
NTD-526-012	Two stack finger plate
NTD-526-013	Flipper horn
NTD-526-014	Tampon rotor
NTD-526-015	Tampon weight
NTD-526-016	Napkin weight
NTD-526-10N	Coin mechanism for napkin dispenser only (.10, .25, .50 & Free)
NTD-010	Coin mechanism for tampon dispenser (.10, .25, .50 & Free)
NTD-526-017	Coin box

**Overall Size:** 11 1/2"W x 26"H x 6 1/2"D

**Capacity:** Napkins 30, Tampons 27

### Package Sizes Dispensed:

#### Napkins:

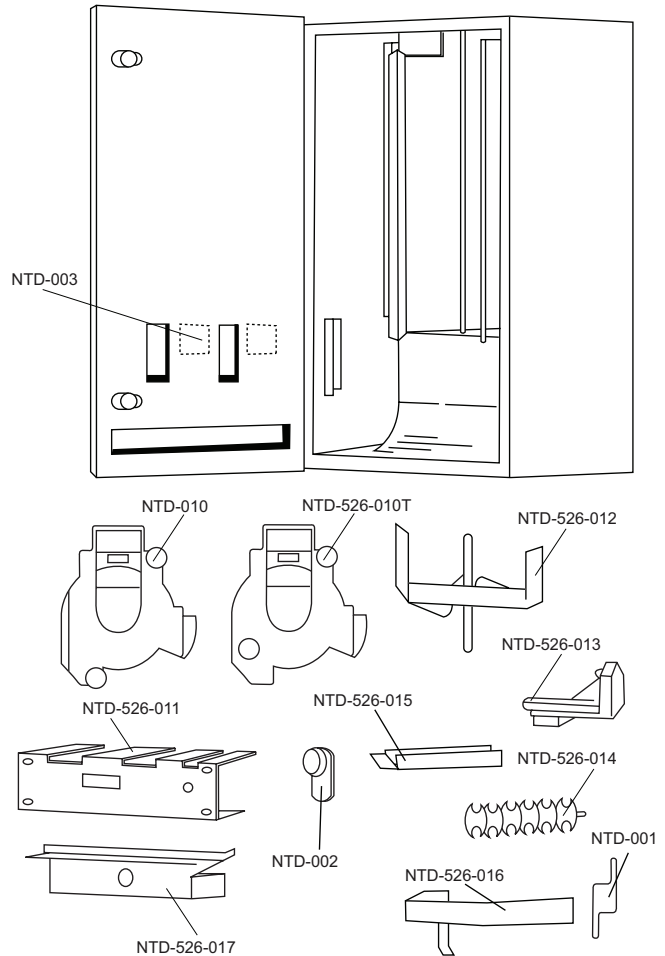
Min: 2 5/8"W x 4 1/8"L x 3/4"H

Max: 3 1/8"W x 4 1/2"L x 1 1/8"H

#### Tampons:

Min: 5/8" Dia. x 4 1/4"L

Max: 3/4" Dia. 5 1/8"L



### INSTALLATION & TROUBLESHOOTING

**Surfaced Units:** Secure surface mounted units to wall surface through back of unit with four (4) #10 screws provided

**Recommended Mounting Height:** Finished floor to turn knob mechanism 40" for ADA compliance.

#### Troubleshooting

**My Unit Will Not Accept Coins:** Check to see if chutes are empty. This unit has an automatic empty indicator which prevents coins from entering slot when chute is empty.

**The Packages Get Hung Up In Chute:** Check packages for size as recommended by manufacturer. Make sure packages have not been wet, bent, crushed or are out of shape in any other manner.

Check if weight is being used properly over packages to be dispensed in each chute. Check chutes and front door to see if it has been vandalized or tampered with. In many cases chutes are damaged when units are vandalized. If chutes cannot be straightened, they should be replaced.

### FEATURES & INSTRUCTIONS

1. Peel off coinage labels
2. Separate coin box lock from door locks
3. Two separate mechanisms that can operate independently of one another and at different coinages. If one is damaged or breaks, it can be individually replaced.
4. Weights will indicate on turn knob mechanisms when chutes are empty and will not allow coins to be inserted.
5. High storage capacity

#### Refilling The Vendor

**Napkins:** Remove weight from napkin chute and fill with napkin packages. Replace weight on top of napkins and store reserve napkins in storage area.

**Tampons:** Remove weight from tampon chute and fill with tampons. Replace weight on top of tampons and store reserve tampons in storage area.

**Ordering Labels:** When ordering labels or mechanisms specify product and coinage for proper labels.



# U526

## Sanitary Napkin & Tampon Dispenser

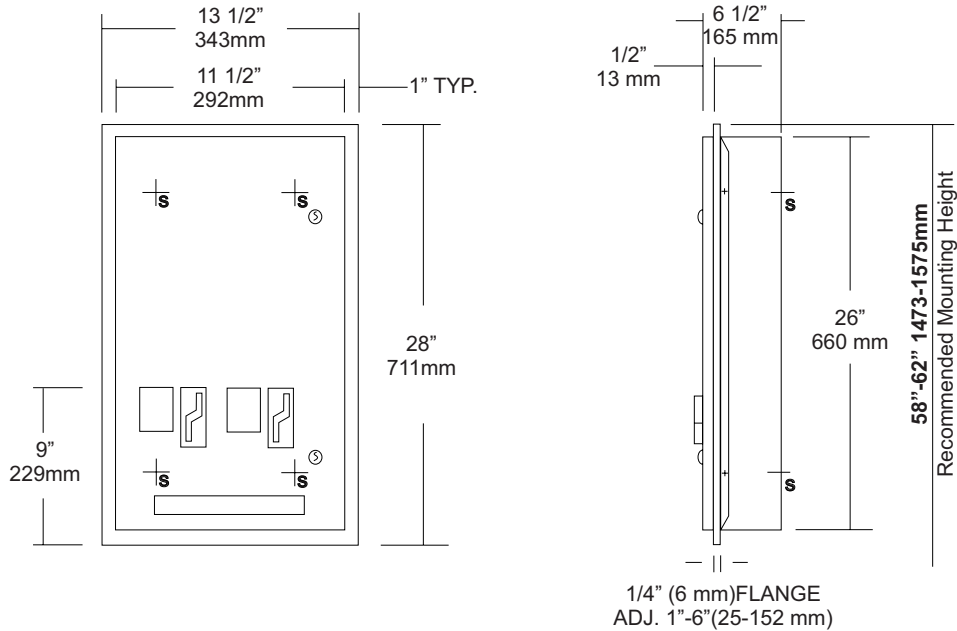
Revision 03/11

JOB #:

ITEM #:

QUANTITY:

MOUNTING	HANDING	TYPE	SIZE	OTHER



### SPECIFICATIONS

**Door:** Fabricated of #18 ga stainless steel with #4 satin finish. Door has 1/2" returns for rigidity.

**Body:** Fabricated of #22 ga stainless steel with a #4 satin finish.

**Adjustable Slip Flange:** Fabricated of #22 ga stainless steel, one piece construction with no miters or welds and #4 satin finish. Flange will adjust from a 1" minimum to a 6" maximum wall depth.

**Coin Mechanisms:** Two independent, trouble free turn knob mechanisms, with an "EMPTY" indicator that does not allow coins to be inserted into mechanism when product has been depleted. Operational with one hand with less than 5 lbs of force without tight grasping. Can be operated with palm, elbow or forearm if user has a physical impairment. (Free, .5, .10, .25, .50)

**Hinges:** Full length, heavy duty, stainless steel piano type hinge.

**Locks:** Pin tumbler, commercial quality, keyed like all other AJW cabinets. \*(Coin box keyed differently then the door for security)

**Overall Size:** 13 1/2"W x 28"H x 6 1/2"D  
**343mm x 711mm x 165mm**

**Wall opening:** 11 3/4"W x 26 1/4"H x 1" min-6"D max.  
**298mm x 667mm x 25mm-152mm**

**Capacity:** Napkins: 30, Tampons: 27

**Verify Coinage:** Napkin \_\_\_\_\_ Tampon \_\_\_\_\_

**Recommended Package Sizes:**

**Napkins:**  
**Min:** 2 5/8"W x 4 1/8"L x 3/4"H  
**Max:** 3 1/8"W x 4 1/2"L x 1 1/8"H

**Tampons:**  
**Min:** 5/8" Dia. x 4 1/4"L  
**Max:** 3/4" Dia. 5 1/8"L

### INSTALLATION

Coordinate installation with architect or contractor to avoid interference with pipes, vents, etc. Provide a rough wall opening 11 3/4"W x 26 1/4"H. Depth will vary per application. Place adjustable flange in opening and secure with proper fasteners per application. Insert cabinet into opening and secure. Fill each chute with the proper products and make certain to place weights on the top product. Test operation of mechanism and dispensing of product before securing cabinet. Each cabinet comes with a parts list for ordering replacement parts if ever required.

\*Note: Adjustable flange can be removed to make cabinet full surface mounted.

When mounted properly, unit will comply with ADA Code 4.27.4

### NOTES

NTD-001	Turn knob with set screw
NTD-002	HL100 lock & key
NTD-003	Coin & denomination label
NTD-526-011	Mounting plate
NTD-526-012	Two stack finger plate
NTD-526-013	Flipper horn
NTD-526-014	Tampon rotor
NTD-526-015	Tampon weight
NTD-526-016	Napkin weight
NTD-526-10N	Coin mechanism for napkin dispenser only (.10, .25, .50 & Free)
NTD-010	Coin mechanism for tampon dispenser (.10, .25, .50 & Free)
NTD-526-017	Coin box

**Overall Size:** 13 1/2"W x 28"H x 6 1/2"D

**Wall Opening:** 11 3/4"W x 26 1/4"H x 1"D (min) to 6" (max)

**Capacity:** Napkins 30, Tampons 27

### Package Sizes Dispensed:

#### Napkins:

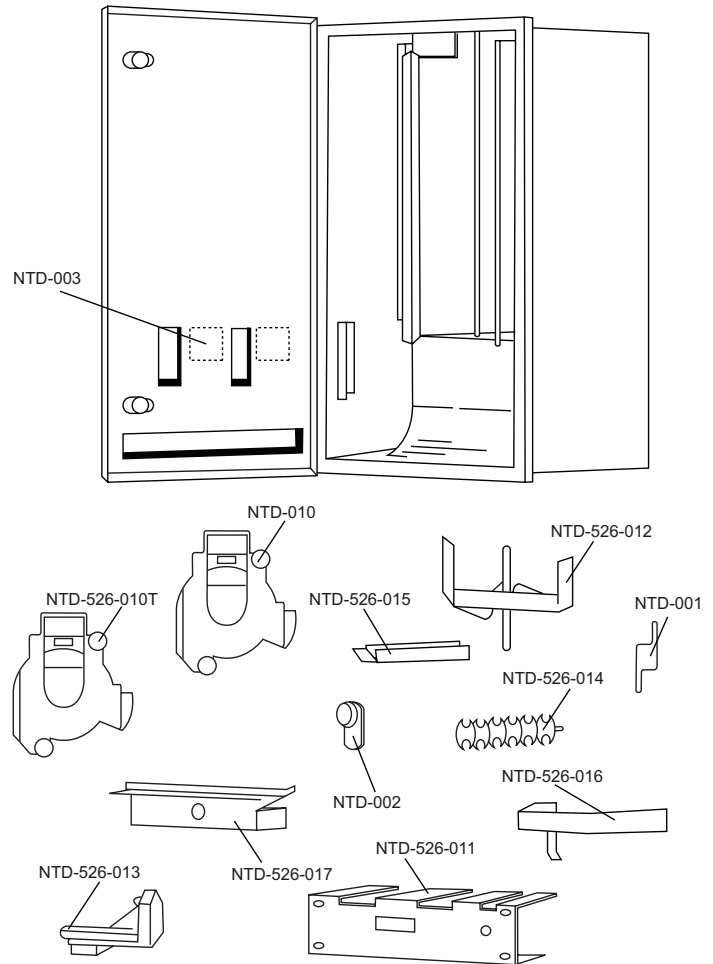
Min: 2 5/8"W x 4 1/8"L x 3/4"H

Max: 3 1/8"W x 4 1/2"L x 1 1/8"H

#### Tampons:

Min: 5/8" Dia. x 4 1/4"L

Max: 3/4" Dia. 5 1/8"L



### INSTALLATION & TROUBLESHOOTING

**Recessed Units:** Secure frame to wall opening. Slide unit through frame to desired depth and secure in place with four (4) #10 screws provided. If rear mounting holes cannot be used, it may be necessary to drill holes in sides of unit as needed

**Recommended Mounting Height:** Finished floor to turn knob mechanism 40" for ADA compliance.

#### Troubleshooting

**My Unit Will Not Accept Coins:** Check to see if chutes are empty. This unit has an automatic empty indicator which prevents coins from entering slot when chute is empty.

**The Packages Get Hung Up In Chute:** Check packages for size as recommended by manufacturer. Make sure packages have not been wet, bent, crushed or are out of shape in any other manner.

Check if weight is being used properly over packages to be dispensed in each chute. Check chutes and front door to see if it has been vandalized or tampered with. In many cases chutes are damaged when units are vandalized. If chutes cannot be straightened, they should be replaced.

### FEATURES & INSTRUCTIONS

1. Peel off coinage labels
2. Separate coin box lock from door locks
3. Two separate mechanisms that can operate independently of one another and at different coinages. If one is damaged or breaks, it can be individually replaced.
4. Weights will indicate on turn knob mechanisms when chutes are empty and will not allow coins to be inserted.
5. High storage capacity

#### Refilling The Vendor

**Napkins:** Remove weight from napkin chute and fill with napkin packages. Replace weight on top of napkins and store reserve napkins in storage area.

**Tampons:** Remove weight from tampon chute and fill with tampons. Replace weight on top of tampons and store reserve tampons in storage area.

**Ordering Labels:** When ordering labels or mechanisms specify product and coinage for proper labels.



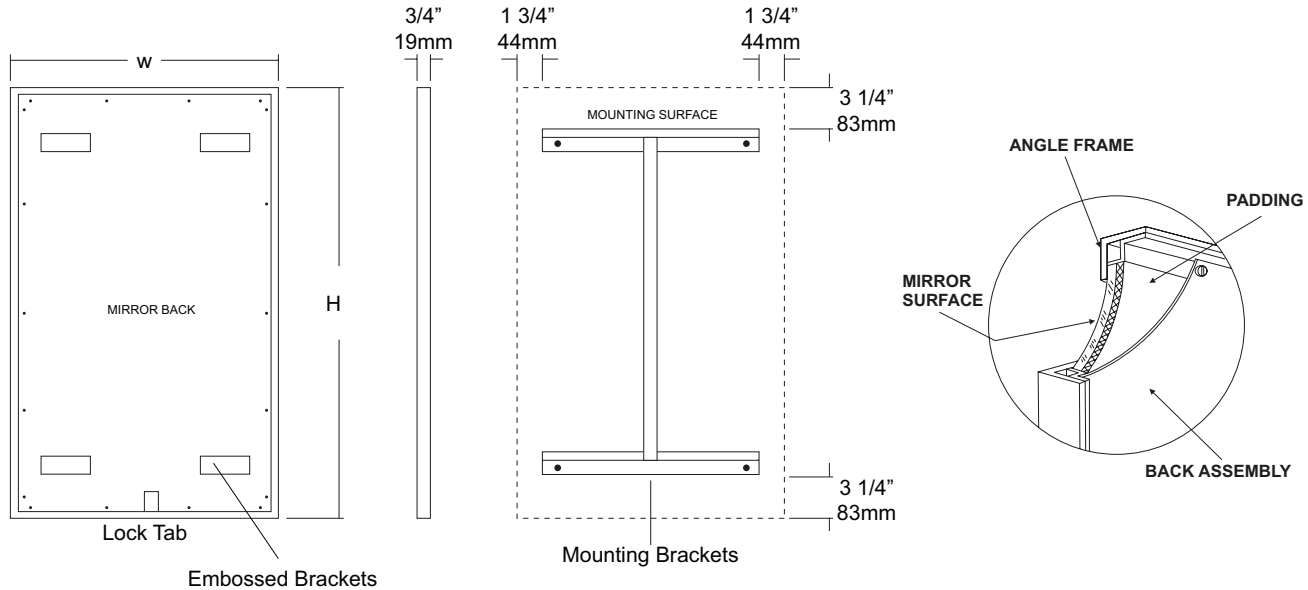


JOB #:

ITEM #:

QUANTITY:

MOUNTING	HANDING	TYPE	SIZE	OTHER
----------	---------	------	------	-------



### SPECIFICATIONS

**Frame:** Fabricated of #18 ga stainless steel, #4 satin finish. 3/4" x 3/4" frame with welded mitered corners are ground and polished smooth. #22 ga concealed "Z" channel is spot welded to inner perimeter of frame for reinforcement and greater rigidity.

**Mirror:** 1/4" thick type 1 transparent flat type, class 1 - clear glass mirrors. Mirror is coated with silver and sealed with a uniform electrolytic copper plating, along with two coats of paint for added protection. Mirrors are guaranteed against silver spoilage for a period of 15 years. Mirrors conform to ASTM C1036 and ASTM C1503-R8.

**Filler:** 3/16" thick full size, shock absorbing, water resistant, non-abrasive polyethylene padding protects all concealed mirror surfaces.

**Back:** #20 ga pre-plated galvanized steel, with embossed horizontal louver mounting brackets. Embossed theft resistant pressure activated clip lock device, locks mirror in place to wall hangers. Back is secured to frame with concealed Phillips head screws.

**Hangers:** Fabricated of #20 ga pre-plated steel galvanized steel with mounting points.

**Standard Sizes Available (W x H):** 16"x24", 16"x20", 16"x30", 18"x24", 18"x30", 18"x36", 20"x60", 24"x30", 24"x36", 24"x42", 24"x48", 18"x60", 24"x60", 24"x72", 18"x72"

#### Options:

- LG:** Laminated Glass
- LX:** Polycarbonate
- PM:** Plastic Acrylic
- T:** Tempered Glass
- VC:** Vinyl Clad (Safety Glass)
- 8B:** #8 Reflective Stainless Steel

\* Stainless steel mirrors reflect images in different optic quality than plate glass. There will be a slight distortion which increases proportionately with the mirror size. Therefore, AJW Architectural Products™ cannot be held responsible for quality of image.

\*\* Mirrors are always ordered Width x Height

\*\*\* Recommended max size for 8B mirrors: 72" x 47-1/2"

\*\*\*\* Framed mirrors are fabricated to a tolerance of (+/-) 1/8"

\*\*\*\*\* Mirrors conform to Federal Specifications DD-M-00411b & DDg-541D.

### INSTALLATION

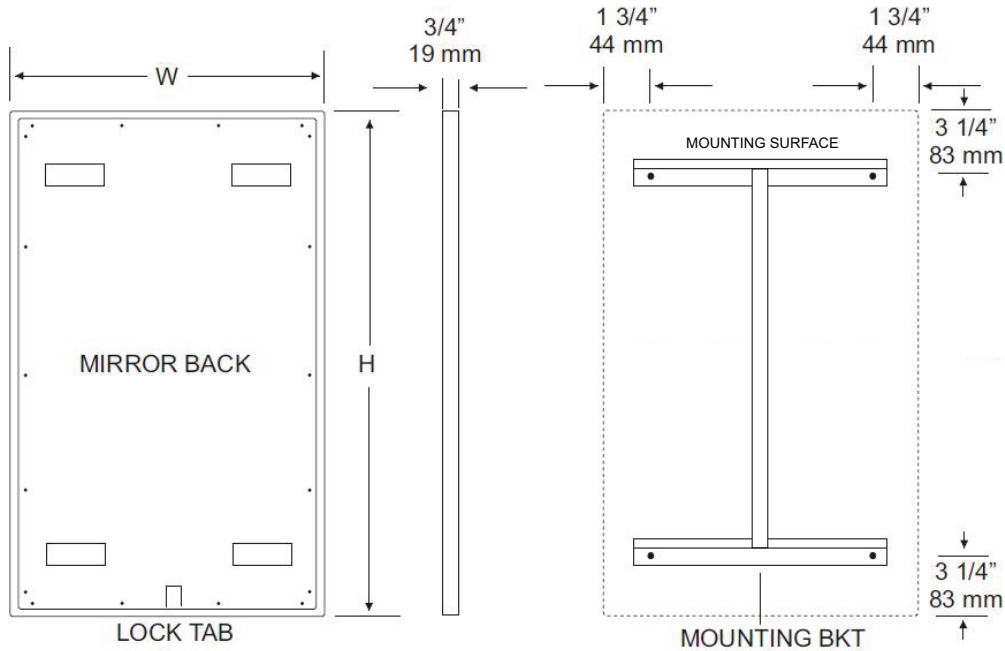
Coordinate installation with architect / contractor for specific mounting location and height for each mirror application. Making sure "I" bracket is level, transfer all mounting point locations to wall surface from drawing. Secure brackets with proper fasteners for each application. Slide mirror down over horizontal brackets until clip lock secures mirror in place. Mirror can only be removed by inserting tool through hole at bottom of frame depressing clip. This will allow mirror to slide up over brackets. Fillers are available if mirrors are mounted above and below tile line. (U004 Filler) filler material will match mirror frame to form a one piece construction.

To meet ADA Code, bottom edge of reflective surface can be no higher than 40" above finished floor. (4.19.6) Full length mirrors may be used for universal application when installed in correct locations.

Abrasive cleaners & chloric solutions should not be used on mirrors. Discoloring and /or scratching of frame and reflective surface may occur.

### NOTES

# U700 Installation Instruction Sheet



## INSTALLATION

Coordinate installation with architect / contractor for specific mounting location and height for each mirror application. Making sure "I" bracket is level, transfer all mounting point locations to wall surface from drawing. Secure brackets with proper fasteners for each application. Slide mirror down over horizontal brackets until clip lock secures mirror in place. Mirror can only be removed by inserting tool through hole at bottom of frame depressing clip. This will allow mirror to slide up over brackets. Fillers are available if mirrors are mounted above and below tile line. (U004 Filler) Filler material will match mirror frame to form a one piece construction.

To meet ADA Code, bottom edge of reflective surface can be no higher than 40" above finished floor. (4.19.6) Full length mirrors may be used for universal application when installed in correct locations.

## CARE & CLEANING

Wipe mirrors with a soft cloth, taking special care to rub stainless steel frames with the grain to avoid scratching. Do not use abrasive cleaners containing chloric solutions on stainless steel frames. Glass Plus or other window cleaning products are ideal.



# U840 Toilet Tissue Dispenser

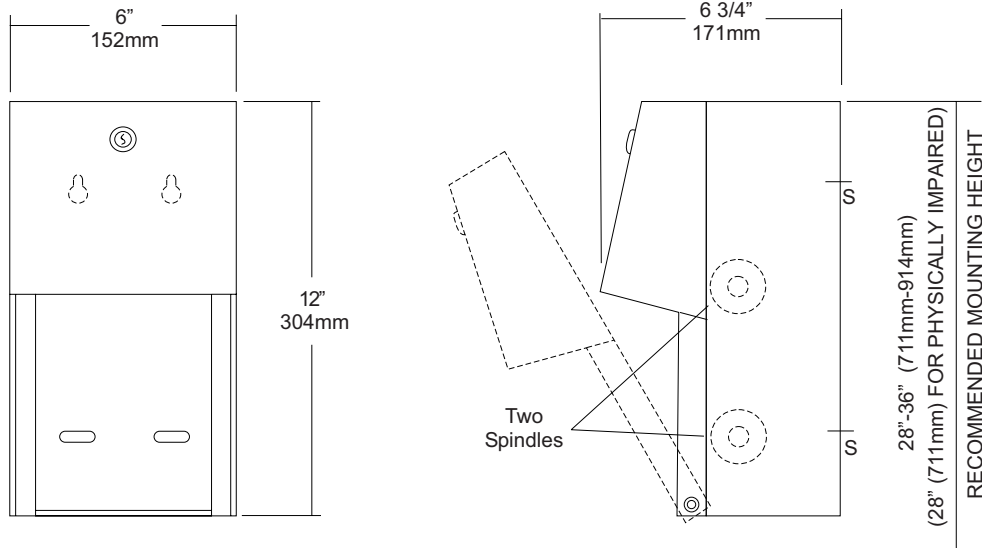
Revision 03/11

JOB #:

ITEM #:

QUANTITY:

MOUNTING	HANDING	TYPE	SIZE	OTHER



## SPECIFICATIONS

**Body:** Fabricated of #22 ga stainless steel with #4 satin finish. Concealed inner dispensing mechanism is #18 ga stainless steel.

**Back:** Fabricated of #18 ga stainless steel with multiple welds to cabinet body forming a one piece construction.

**Hood:** Fabricated of #18 ga stainless steel finished to match cabinet body. Hood is secured with stainless steel hinge rivets to cabinet body. Top roll of tissue will not drop down unless the bottom roll has been depleted. When unit is closed, this will provide a theft resistant, non-control operation and reduce vandalism.

**Locks:** Pin tumbler, commercial quality locks keyed like all other AJW cabinets.

**Spindles:** (U005) Fabricated of one-piece molded high impact black ABS material.

**Overall Size:** 6"W x 12"H x 6 3/4"D

**152mm x 305mm x 171mm**

**Capacity:** Two standard rolls with a 5 1/4" (133mm) OD..

## INSTALLATION

Provide an area on mounting surface at desired or specified location. Open cabinet, remove spindles and hold unit to wall at desired location. Transfer mounting points and drill pilot holes. Secure unit with proper fasteners per each application. Load toilet tissue on rollers, place in concealed track and close hood. Raise lower roll against upper and take hand away. Lower roll should fall into place with upper roll remaining up above the hood line. If loaded properly, top roll will not fall for use until bottom roll has been depleted. When servicing dispenser, full rolls must be used on both spindles to insure proper operation.

All toilet tissue dispensers that meet ADA code cannot have any type of control delivery. (4.16)

## NOTES

Formerly Model #: U840A



# UG3-A

Grab Bars

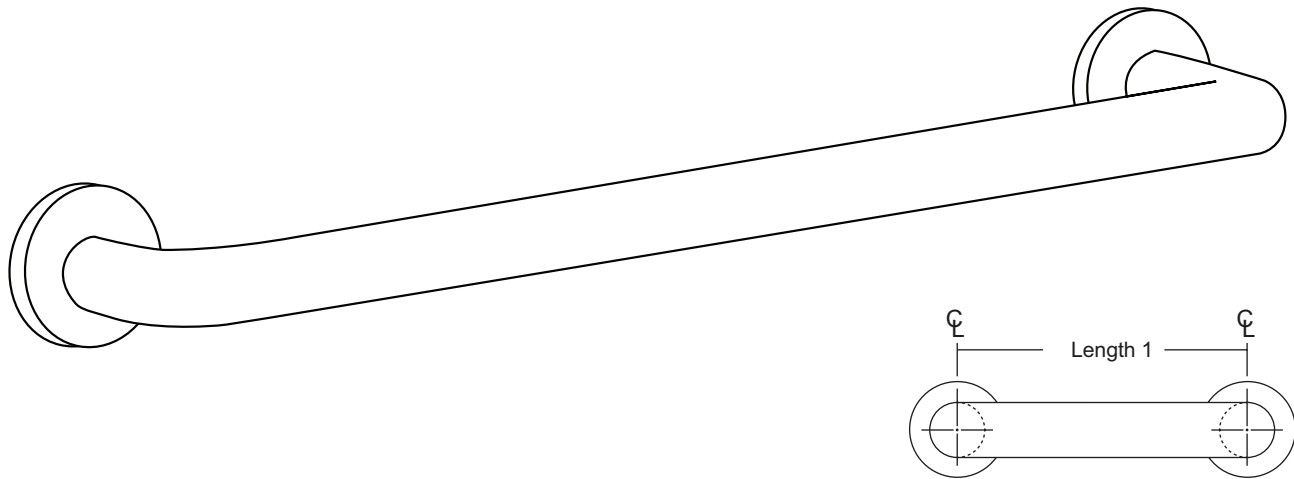
Revised 03/11

JOB #:

ITEM #:

QUANTITY:

MOUNTING	HANDING	TYPE	SIZE	OTHER



## SPECIFICATIONS & INSTALLATION

**Tubing:** Fabricated of #18 ga stainless steel with a #4 satin finish. Available in 1 1/2" outside diameter. All bends are formed by an automatic mandrel bending process. All bars maintain a constant 1 1/2" offset.

**Finish:** Standard finish is a #4 satin finish. For a non-slip finish (peened) add suffix X to model number. (Ex. UG3X-A)

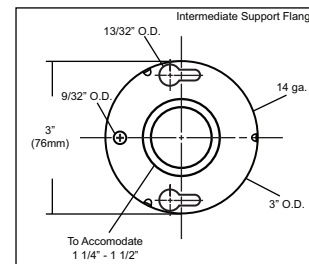
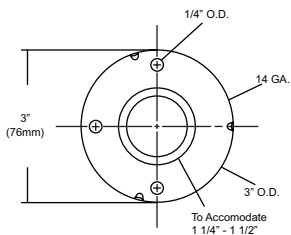
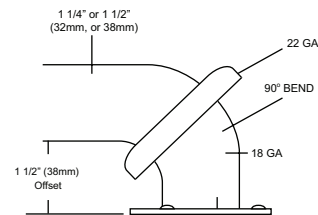
**Flanges:** Snap flanges are fabricated of 3" diameter, 3/8" deep drawn #22 ga stainless steel with #4 satin finish to match tubing. Flanges have dimples that secure over mounting plate.

**Strength:** Bars with a 1 1/2" offset clearance will support loads in excess of 900lbs when properly installed. Bars with greater offsets will support loads up to 250lbs when properly installed.

**Installation:** Before installing grab bars, verify with all state and local codes for requirements on bar diameter and type finish. Recommended mounting heights for grab bars are 33" - 36" centerline above finished floor. All mounting of grab bars when possible should have in wall mounting back plates. Find centerline mounting points and place bar on line making sure to be on center. Transfer mounting points (3 per flange) to wall. Drill pilot holes and secure bar with proper anchors per application. Snap cover over mounting plate.

**Standard Lengths (Other sizes available upon request):** 12", 16", 18", 24", 30", 32", 36", 42", 48", 50", 52", 54", 56"

## FLANGE INFORMATION



## NOTES



**UJ23**  
Clothes Hook

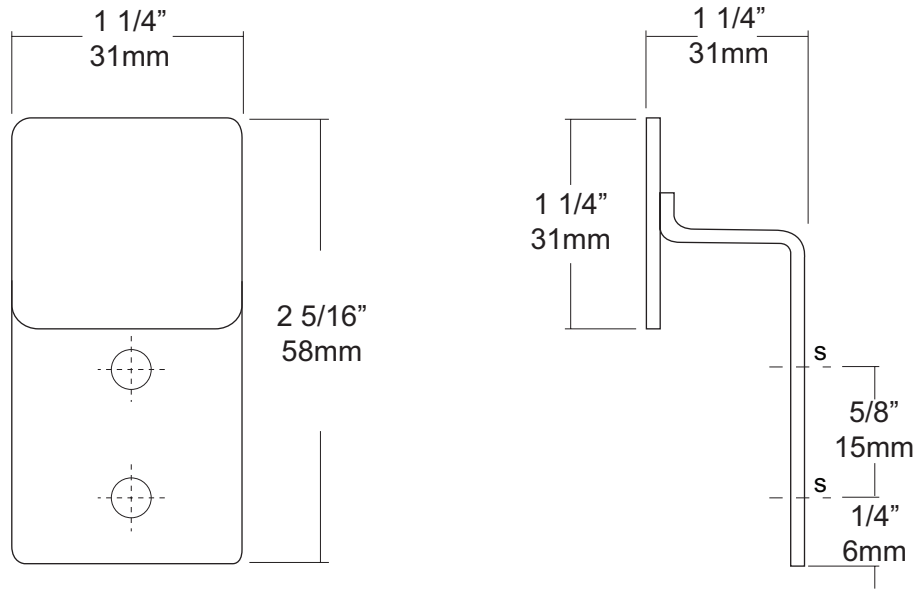
Revision 05/11

JOB #:

ITEM #:

QUANTITY:

MOUNTING	HANDING	TYPE	SIZE	OTHER



**SPECIFICATIONS** **INSTALLATION**

**Clothes Hook:** Fabricated of #11 gauge stainless steel with a #4 satin finish. Hook is fabricated with radiused edges for safety.

**Overall Size:** 1 1/4"W x 2 5/16"H x 1 1/4"D  
31mm x 57mm x 31mm

Place unit to wall surface making sure unit is level and transfer mounting points. Drill pilot holes and secure unit with proper fasteners per application.

**NOTES**



# UJ45 Series

## Mop Holder & Hook Strip Combination Unit

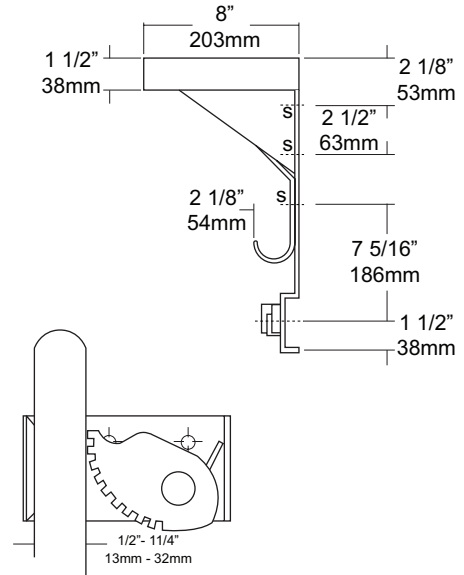
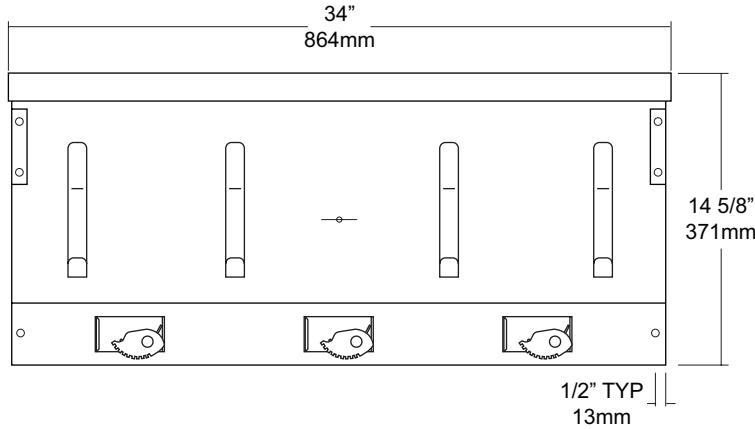
Revision 03/11

JOB #:

ITEM #:

QUANTITY:

MOUNTING	HANDING	TYPE	SIZE	OTHER



### SPECIFICATIONS

**Shelf:** Fabricated of #18 ga stainless steel with a #4 satin finish, 8" deep (203mm) bent down 1 1/2" with 1/2" returns back for rigidity and safety.

**Back:** Fabricated of #18 ga stainless steel, #4 satin finish. Lower portion has a formed channel for added rigidity to support the mop holders.

**Mop Holders:** UJ19 plated reinforced steel with serrated cam type hard rubber mop or broom holder. Holds handles 1/2" to 1 1/4" diameter.

**Hooks:** #14 ga stainless steel with a #4 satin finish.

**Mounting Brackets:** #16 ga stainless steel with exposed mounting points.

**Verify Style:**

**UJ45A:** 34"L (864mm) with 3 holders, 4 hooks.

**UJ45B:** 44"L (1118mm) with 4 holders, 5 hooks.

**UJ45C:** 54"L (1372mm) with 5 holders, 6 hooks.

### INSTALLATION

Place unit to wall surface making sure unit is level and transfer mounting points. Drill pilot holes and secure unit with proper fasteners per application.

### NOTES