

date  
projectname  
attn  
from  
fax  
email  
phone

2-9-2018  
Catoosa County Fire Station #3  
Lisa Bryson

[\[email protected\]](#)



# U144

Soap Dispenser

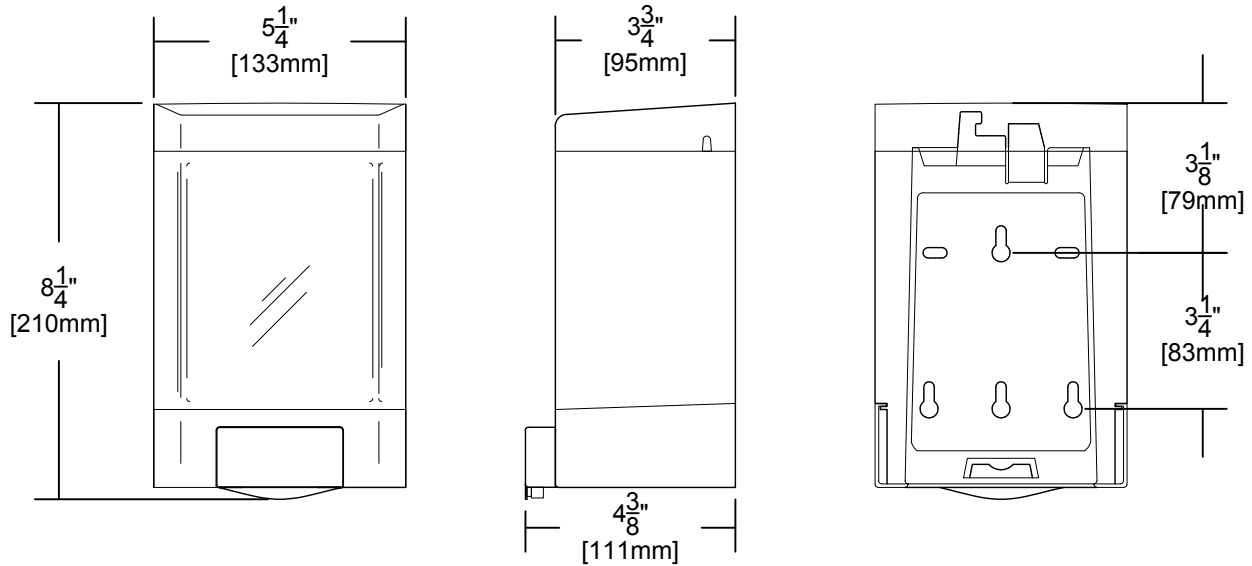
Revision 09/15

JOB #:

ITEM #:

QUANTITY:

MOUNTING	HANDING	TYPE	SIZE	OTHER



## SPECIFICATIONS

**Soap Tank:** Fabricated of translucent high impact ABS material with a smooth curved design.

**Body & Cover:** Fabricated of white high impact plastic material. Hidden security locking mechanism prevents vandalism. Large convenient filler cap allows easy servicing of dispenser.

**Valve:** Fabricated of high impact plastic material that will dispense most liquids, lotions, and hand sanitizers (NOT pumice soaps or foam soaps). Large push button allows easy one hand operation that requires less than 5 lbs of force to operate. When properly mounted dispenser will comply with ADA code.

**Overall Size:**  $5\frac{1}{4}$ "W x  $8\frac{1}{4}$ "H x  $4\frac{3}{8}$ "D (Wall to Valve)  
**133mm x 210mm x 111mm**

**Capacity:** 46 fluid oz.

## INSTALLATION

If mounting on wall surface, transfer mounting hole dimensions from back of unit to wall surface. Drill pilot holes and secure unit to surface with proper fasteners. Sensor cannot be any higher than 40" Above finished floor to comply with ADA code.

\* It is not recommended to mount any soap dispenser on mirrors

\*\* For best performance, use pre-mixed low concentrate solutions. Dispensers should have periodic maintenance performed to insure the life of the dispenser. Rinse out bottle and valve with warm water to prevent sludge buildup.

Preventative Maintenance: Each dispenser should be flushed out approx. Every 30 days with warm water to prevent valve from clogging with old soap. Do not use abrasive cleaners to clean dispenser.

## NOTES



# U232

Folded Towel Dispenser

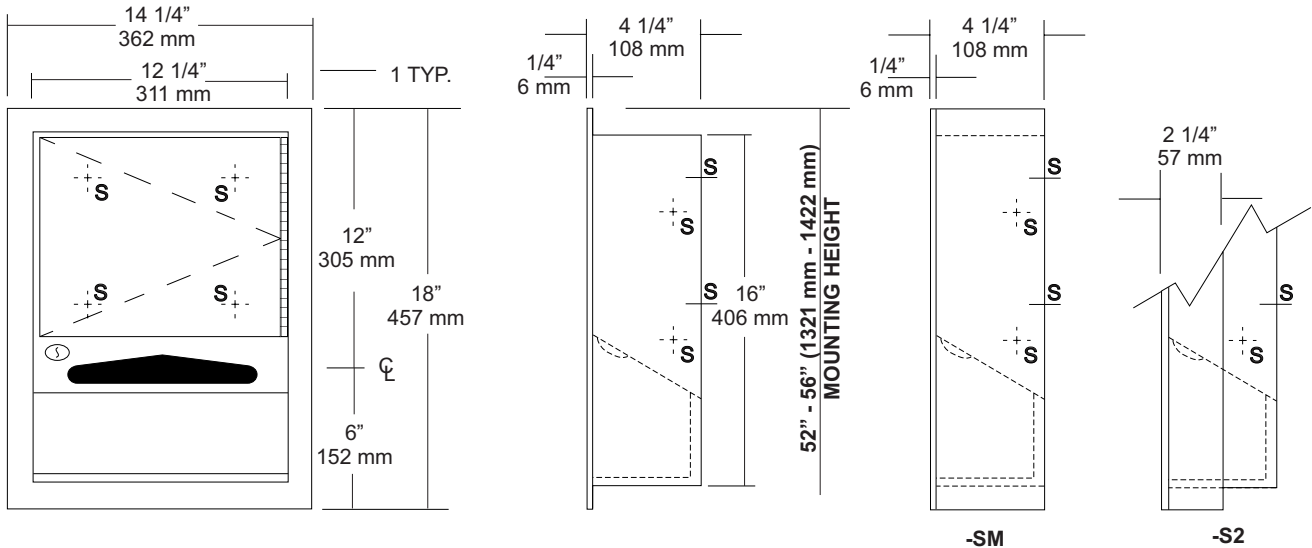
Revision 03/11

JOB #:

ITEM #:

QUANTITY:

MOUNTING	HANDING	TYPE	SIZE	OTHER



## SPECIFICATIONS

**Cabinet Body:** Fabricated of #22 ga stainless steel. Face trim is an integral part of body with a #4 satin finish and 1/4" returns to wall surface for rigidity. One piece construction without miters or welds.

**Cabinet Door:** Fabricated of #22 ga stainless steel with a #4 satin finish. Full length door stops protect door from vandalism.

**Cabinet Back:** Fabricated of #22 ga stainless steel with multiple welds to cabinet body:

**Towel Dispensing:** Hemmed edges that prevent injury and towel tearing.

**Hinges:** Heavy duty, full length, stainless steel piano type hinge secured door to cabinet.

**Lock:** Commercial quality, pin tumbler type lock keyed like all other AJW accessories.

**Collars:** Fabricated of #22 ga stainless steel finished to match cabinet for surface or recess mounting.

**Overall Size:** 14 1/4"W x 18"W x 4 1/4"D

**362mm x 457mm x 108mm**

**Wall Opening:** 12 3/4"W x 16 1/2"H x 4"D

**324mm x 419mm x 102mm**

**U232-S2:** 2" semi-recessed collar, 2" wall opening 51mm.

**U232-SM:** Full surface mounted collar.

**Capacity:** 350 c-fold or 475 multifold

## INSTALLATION

Coordinate installation with architect and contractor to avoid interference with pipes vents etc. in wall. Provide a rough wall opening 12 3/4"W x 16 1/2"H. See specification for proper wall depth opening. Slip on collars now if collars are required. Open cabinet and insert into wall opening. Secure with proper fasteners per each application. Fill unit with recommended towels, without overfilling. Make sure towels overlap each other so they will be available each time a towel is removed from dispensing area.

Do not use abrasive cleaners or chloric solutions to clean cabinets.

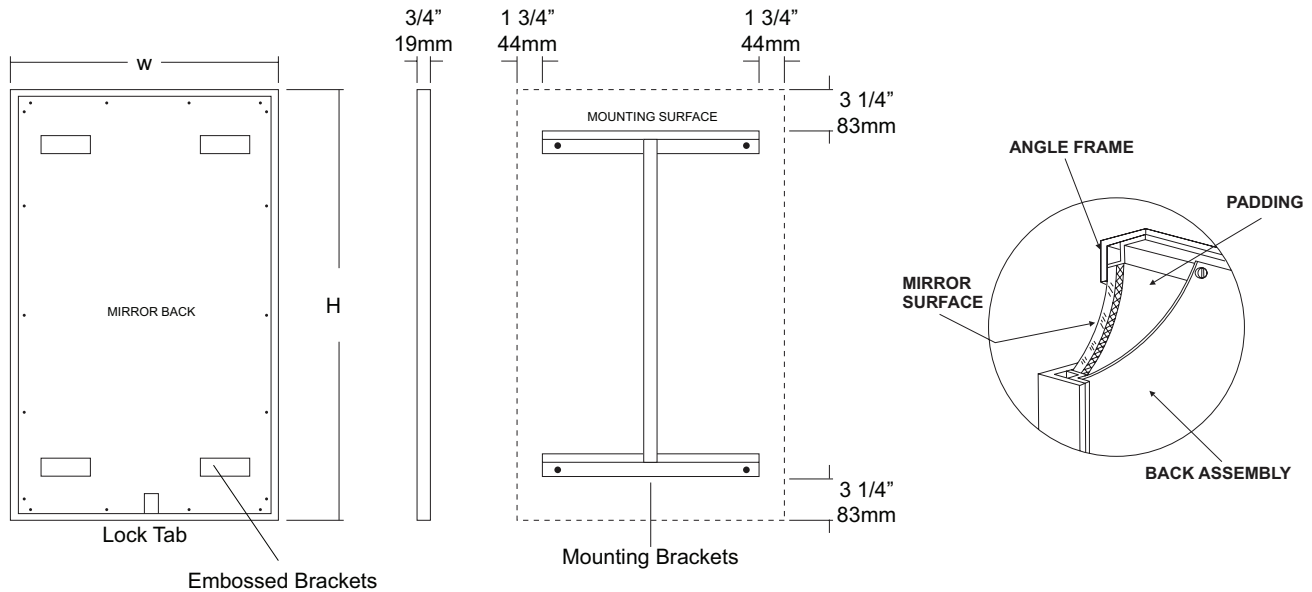
## NOTES

JOB #:

ITEM #:

QUANTITY:

MOUNTING	HANDING	TYPE	SIZE	OTHER



#### SPECIFICATIONS

**Frame:** Fabricated of #18 ga stainless steel, #4 satin finish. 3/4" x 3/4" frame with welded mitered corners are ground and polished smooth. #22 ga concealed "Z" channel is spot welded to inner perimeter of frame for reinforcement and greater rigidity.

**Mirror:** 1/4" thick type 1 transparent flat type, class 1 - clear glass mirrors. Mirror is coated with silver and sealed with a uniform electrolytic copper plating, along with two coats of paint for added protection. Mirrors are guaranteed against silver spoilage for a period of 15 years. Mirrors conform to ASTM C1036 and ASTM C1503-R8.

**Filler:** 3/16" thick full size, shock absorbing, water resistant, non-abrasive polyethylene padding protects all concealed mirror surfaces.

**Back:** #20 ga pre-plated galvanized steel, with embossed horizontal louver mounting brackets. Embossed theft resistant pressure activated clip lock device, locks mirror in place to wall hangers. Back is secured to frame with concealed Phillips head screws.

**Hangers:** Fabricated of #20 ga pre-plated steel galvanized steel with mounting points.

**Standard Sizes Available (W x H):** 16"x24", 16"x20", 16"x30", 18"x24", 18"x30", 18"x36", 20"x60", 24"x30", 24"x36", 24"x42", 24"x48", 18"x60", 24"x60", 24"x72", 18"x72"

#### Options:

- LG:** Laminated Glass
- LX:** Polycarbonate
- PM:** Plastic Acrylic
- T:** Tempered Glass
- VC:** Vinyl Clad (Safety Glass)
- 8B:** #8 Reflective Stainless Steel

\* Stainless steel mirrors reflect images in different optic quality than plate glass. There will be a slight distortion which increases proportionately with the mirror size. Therefore, AJW Architectural Products™ cannot be held responsible for quality of image.

\*\* Mirrors are always ordered Width x Height

\*\*\* Recommended max size for 8B mirrors: 72" x 47-1/2"

\*\*\*\* Framed mirrors are fabricated to a tolerance of (+/-) 1/8"

\*\*\*\*\* Mirrors conform to Federal Specifications DD-M-00411b & DDg- 541D.

#### INSTALLATION

Coordinate installation with architect / contractor for specific mounting location and height for each mirror application. Making sure "I" bracket is level, transfer all mounting point locations to wall surface from drawing. Secure brackets with proper fasteners for each application. Slide mirror down over horizontal brackets until clip lock secures mirror in place. Mirror can only be removed by inserting tool through hole at bottom of frame depressing clip. This will allow mirror to slide up over brackets. Fillers are available if mirrors are mounted above and below tile line. (U004 Filler) filler material will match mirror frame to form a one piece construction.

To meet ADA Code, bottom edge of reflective surface can be no higher than 40" above finished floor. (4.19.6) Full length mirrors may be used for universal application when installed in correct locations.

Abrasive cleaners & chloric solutions should not be used on mirrors. Discoloring and /or scratching of frame and reflective surface may occur.

#### NOTES



# U840 Toilet Tissue Dispenser

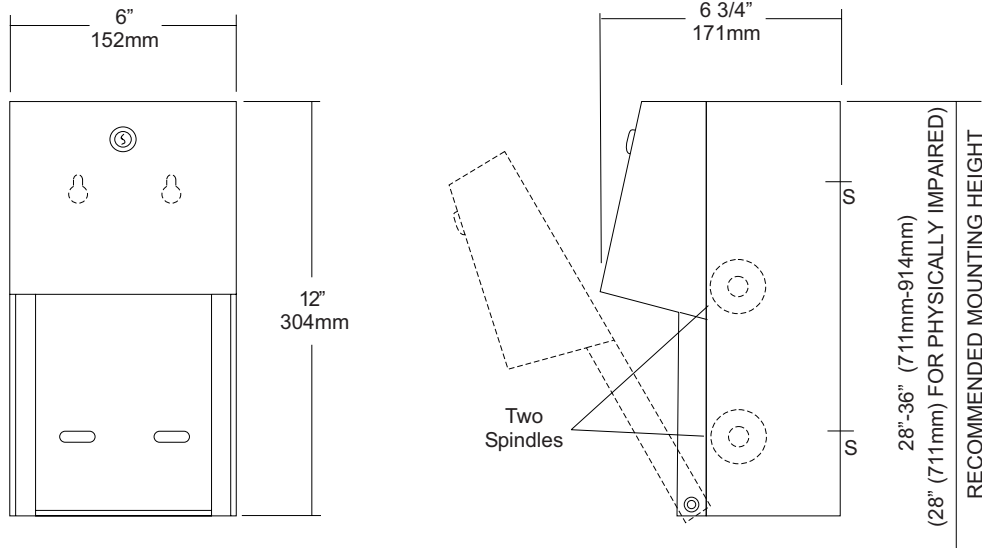
Revision 03/11

JOB #:

ITEM #:

QUANTITY:

MOUNTING	HANDING	TYPE	SIZE	OTHER



## SPECIFICATIONS

**Body:** Fabricated of #22 ga stainless steel with #4 satin finish. Concealed inner dispensing mechanism is #18 ga stainless steel.

**Back:** Fabricated of #18 ga stainless steel with multiple welds to cabinet body forming a one piece construction.

**Hood:** Fabricated of #18 ga stainless steel finished to match cabinet body. Hood is secured with stainless steel hinge rivets to cabinet body. Top roll of tissue will not drop down unless the bottom roll has been depleted. When unit is closed, this will provide a theft resistant, non-control operation and reduce vandalism.

**Locks:** Pin tumbler, commercial quality locks keyed like all other AJW cabinets.

**Spindles:** (U005) Fabricated of one-piece molded high impact black ABS material.

**Overall Size:** 6"W x 12"H x 6 3/4"D

**152mm x 305mm x 171mm**

**Capacity:** Two standard rolls with a 5 1/4" (133mm) OD..

## INSTALLATION

Provide an area on mounting surface at desired or specified location. Open cabinet, remove spindles and hold unit to wall at desired location. Transfer mounting points and drill pilot holes. Secure unit with proper fasteners per each application. Load toilet tissue on rollers, place in concealed track and close hood. Raise lower roll against upper and take hand away. Lower roll should fall into place with upper roll remaining up above the hood line. If loaded properly, top roll will not fall for use until bottom roll has been depleted. When servicing dispenser, full rolls must be used on both spindles to insure proper operation.

All toilet tissue dispensers that meet ADA code cannot have any type of control delivery. (4.16)

## NOTES

Formerly Model #: U840A



# UG2-A

Grab Bars

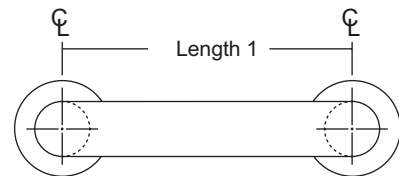
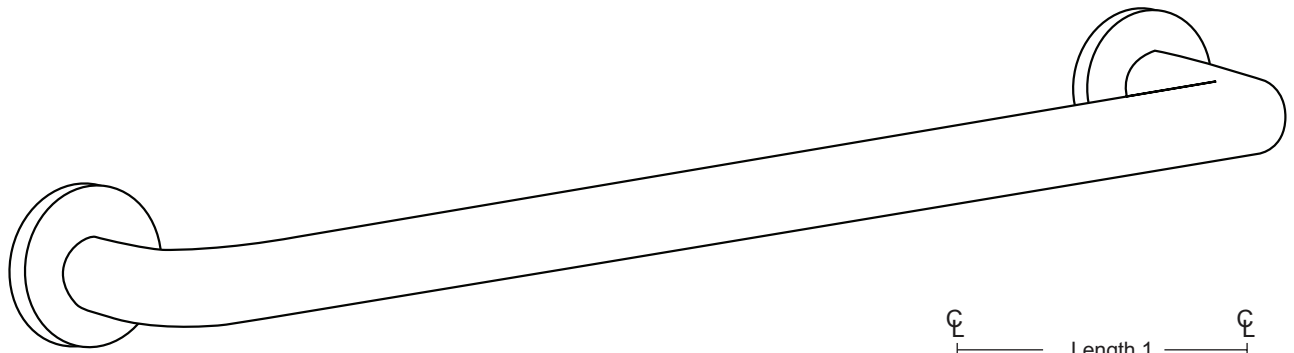
Revised 03/11

JOB #:

ITEM #:

QUANTITY:

MOUNTING	HANDING	TYPE	SIZE	OTHER



### SPECIFICATIONS & INSTALLATION

**Tubing:** Fabricated of #18 ga stainless steel with a #4 satin finish. Available in 1 1/4" outside diameter. All bends are formed by an automatic mandrel bending process. All bars maintain a constant 1 1/2" offset.

**Finish:** Standard finish is a #4 satin finish. For a non-slip finish (peened) add suffix X to model number. (Ex. UG2X-A)

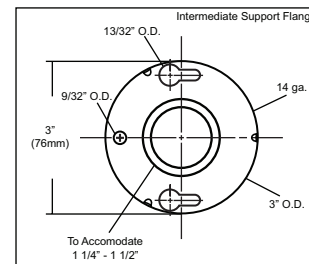
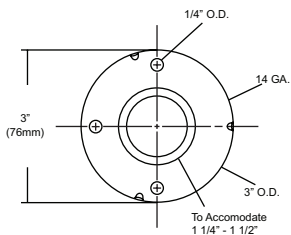
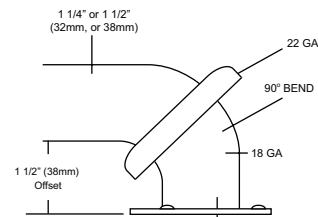
**Flanges:** Snap flanges are fabricated of 3" diameter, 3/8" deep drawn #22 ga stainless steel with #4 satin finish to match tubing. Flanges have dimples that secure over mounting plate.

**Strength:** Bars with a 1 1/2" offset clearance will support loads in excess of 900lbs when properly installed. Bars with greater offsets will support loads up to 250lbs when properly installed.

**Installation:** Before installing grab bars, verify with all state and local codes for requirements on bar diameter and type finish. Recommended mounting heights for grab bars are 33" - 36" centerline above finished floor. All mounting of grab bars when possible should have in wall mounting back plates. Find centerline mounting points and place bar on line making sure to be on center. Transfer mounting points (3 per flange) to wall. Drill pilot holes and secure bar with proper anchors per application. Snap cover over mounting plate.

**Standard Lengths (Other sizes available upon request):** 12", 16", 18", 24", 30", 32", 36", 42", 48", 50", 52", 54", 56"

### FLANGE INFORMATION



### NOTES



# UX111-BF

Single Towel Pin

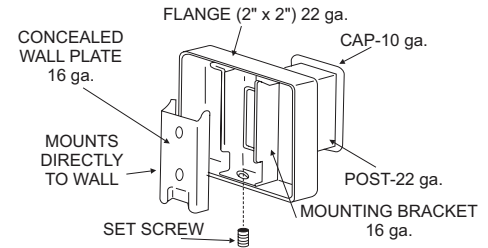
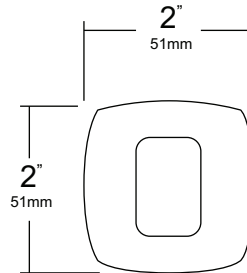
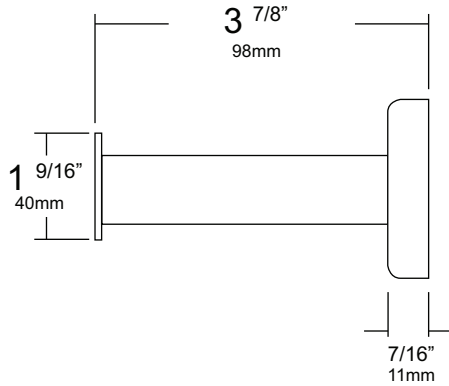
Revision 03/11

JOB #:

ITEM #:

QUANTITY:

MOUNTING	HANDING	TYPE	SIZE	OTHER



### SPECIFICATIONS

**UX Accessories:** All UX bath accessories series are fabricated of stainless steel with a bright or satin finish. Mounting plates are concealed with a snap-on type plate secured by a set screw.

**Hook:** #10 ga stainless steel hook

**Flange:** 2" x 2" flange #22 ga stainless steel.

**Post:** #22 ga stainless steel.

**Mounting Plate:** #16 ga concealed wall plate. Set screw secures mounting plate and flange.

**Overall Size:** 2"W x 2"H x 3 7/8"

**51mm x 51mm x 120mm**

**UX111-SF:** Same as UX111-BF only satin finish in lieu of a bright finish stainless steel.

### INSTALLATION

Provide an area on wall surface at desired or specified location. Place concealed mounting plate on wall surface and transfer mounting points. Drill pilot holes and secure with proper fasteners. Place snap on flange over plate and secure with set screw.

### NOTES



**UX169**  
Shower Curtain Hooks

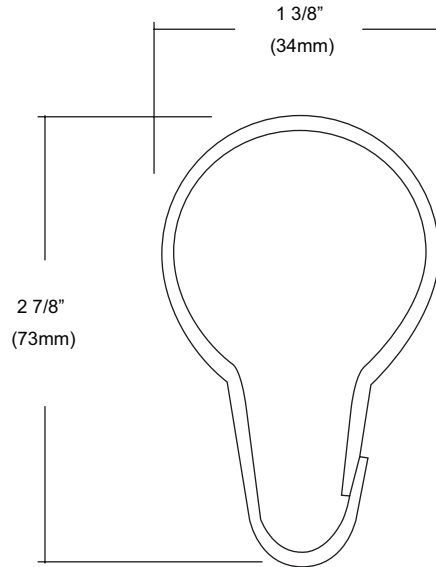
Revision 03/11

JOB #:

ITEM #:

QUANTITY:

MOUNTING	HANDING	TYPE	SIZE	OTHER



**SPECIFICATIONS**

Unit is constructed of stainless steel. Ring snaps around the shower rod to support curtain. Spacing of hooks is every 6" and can be installed on both 1" & 1 1/4" diameter rods.

Overall Size: 1 3/8"W x 2 7/8

34mm x 73mm

**INSTALLATION**

Thread hook through curtain eyelet. Slide rings onto curtain rod. Hook can accommodate 1" & 1 1/4" rods.

**NOTES**





# UX2-V Overhead Supports

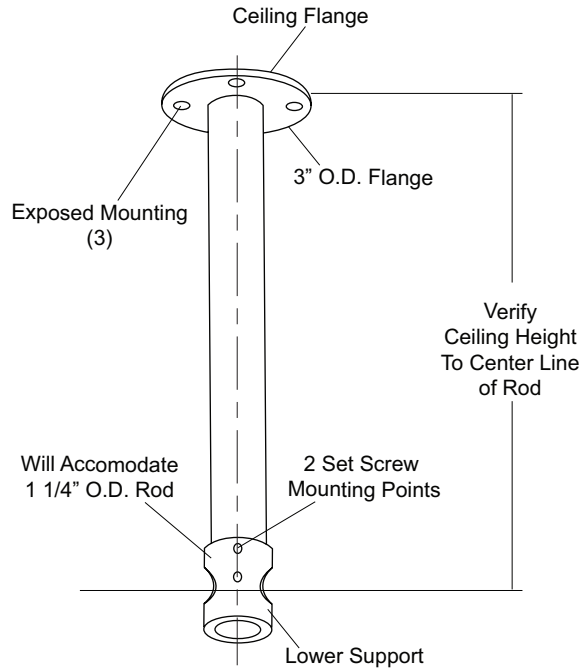
Revision 03/11

JOB #:

ITEM #:

QUANTITY:

MOUNTING	HANDING	TYPE	SIZE	OTHER



### SPECIFICATIONS

**Rod:** Fabricated of #18 gauge stainless steel tube with a #4 satin finish.  
**Flange:** Ceiling mounted exposed flange has a 3" O.D. With three exposed mounting points.  
**Support:** Machined aluminum with a satin finish. Unit will accommodate **1 1/4"OD shower rod**  
**UX2-V:** 1 1/4"OD

### INSTALLATION

Provide an area on ceiling at desired or specified location. Transfer mounting points and drill pilot holes. Secure flange with proper fasteners per each application. Slide lower support over vertical rod end and secure with supplied set screw. Do not finish securing support to rod to make adjustments. Slide shower rod through support opening and secure to rod flanges. After shower rod is secured to flanges and checks to be level finish securing rod and support with supplied set screws (2). Recommend overhead supports for all rods over 72" and other configurations than straight runs.

### NOTES

Formerly Model #: UX168A



# UX250P Shower Curtain

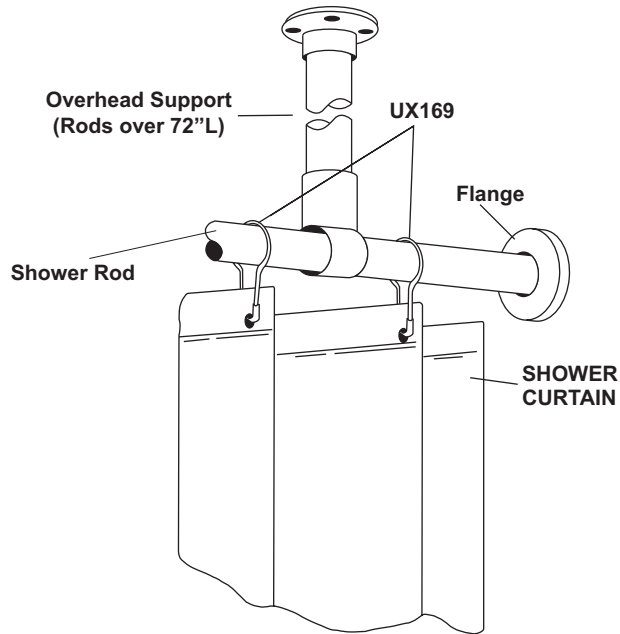
Revision 03/11

JOB #:

ITEM #:

QUANTITY:

MOUNTING	HANDING	TYPE	SIZE	OTHER



SPECIFICATIONS	INSTALLATION
----------------	--------------

**Bacteria & Mildew Resistant:** Heavy duty vinyl film (8 mil) that is flame retardant, durable and waterproof. Microbiotic KV-33 is an integral part added to the fabrication of this curtain that can be laundered repeatedly without losing this barrier against bacteria, fungus and mildew. KV-33 is a durable bacteriostat, mildewstat and fungistat that will provide protection for as long as you use this style curtain. It will retard the growth of organisms, thereby inhibiting odors caused by decaying bacteria.

**Design:** To insure the ultimate in bacteria free curtain, there are no side hems to hinder the flow-off of soap and water. This also makes cleaning easier. The heading is reinforced with a ten gauge vinyl film with rust proof anodized eyelets spaced 6" apart.

**Cleaning:** Sponge with warm mild soap and rinse with clear water.

**Machine washing:** Relatively cool water temp not to exceed 120 degrees F. DO NOT USE DETERGENTS. Air dry at low temp. Colors: Standard stock color is white. Special order for other colors are available on request.

**\*UX1-V/UX2-V:** Overhead s/s supports for oversized shower rods. (For shower rods over 72" in length an overhead support is recommended)

**UX1-V:** 1" OD shower rods.

**UX2-V:** 1 1/4" OD shower rods.

Recommended: UX169 stainless steel shower curtain hooks to connect to AJW shower curtain rods. Various types of flanges are available to secure rod and curtain to mounting surface (exposed and concealed).

Measuring Curtains: Curtains are measured W x H. The same curtain will fit a 1 or 1 1/4" diameter rod.

**NOTES**

Formerly Model #: 250P



# UX2K

Flange & Shower Rod

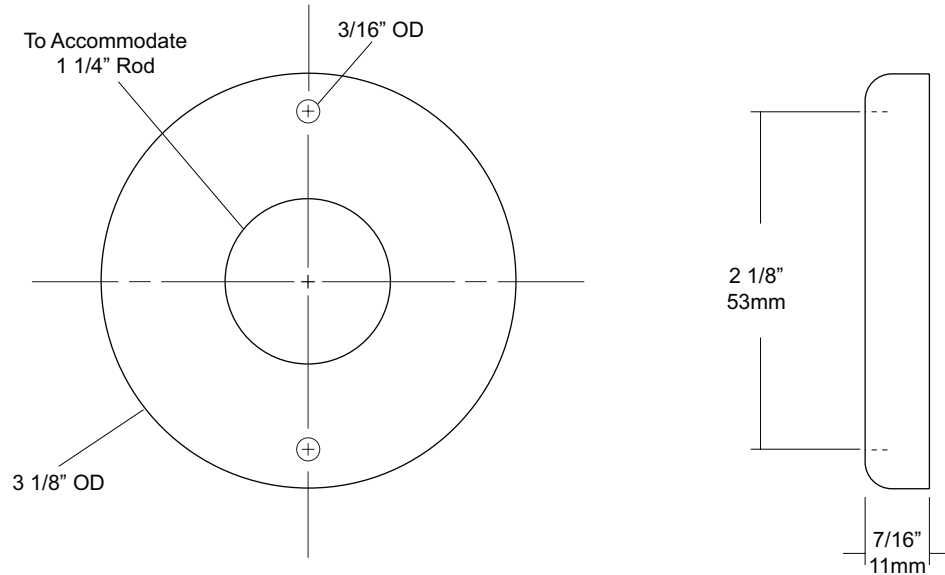
Revision 03/11

JOB #:

ITEM #:

QUANTITY:

MOUNTING	HANDING	TYPE	SIZE	OTHER



### SPECIFICATIONS

**Exposed Cover:** Fabricated of #22 gauge stainless steel with a #4 satin finish. Cover has two (2) exposed mounting points.

**Shower Rod:** Fabricated of stainless steel with a #4 satin finish.

**UX2:** 1 1/4" outside diameter

### INSTALLATION

Provide an area on wall surface at desired or specified location. Hold flange to wall surface and transfer mounting points. Drill pilot holes. Place flanges on the ends of the rods. Secure flanges to wall surface with proper fasteners per application.

### NOTES