

date
projectname
attn
from
fax
email
phone

9/21/2016
Miami Country Day School
Frances Caravello



U135EA

Hands Free Soap Dispenser

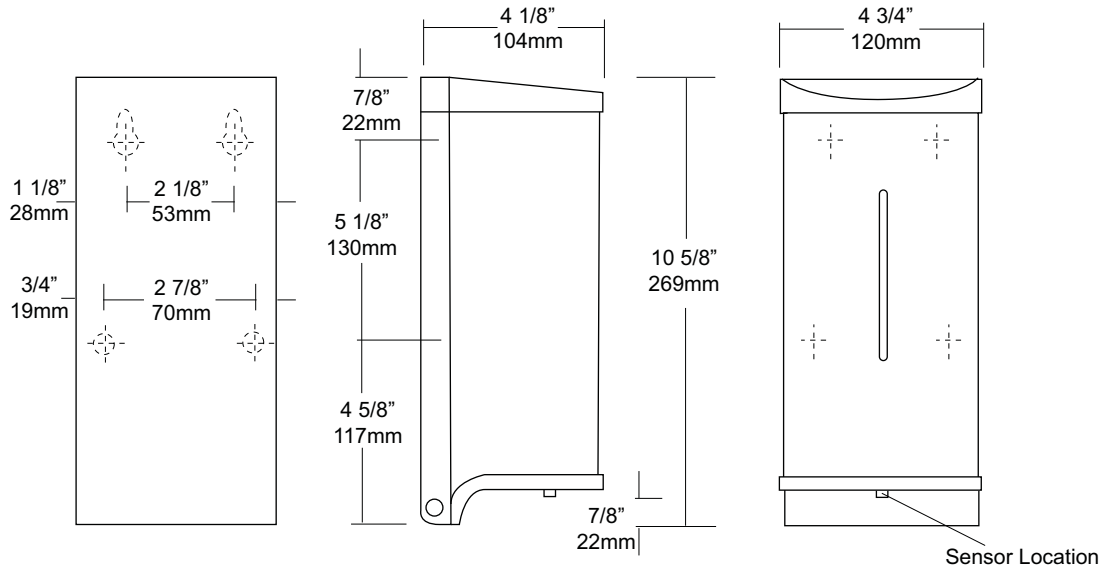
Revision 05/14

JOB #:

ITEM #:

QUANTITY:

MOUNTING	HANDING	TYPE	SIZE	OTHER



SPECIFICATIONS

Cover: Fabricated of stainless steel with #4 satin finish with a refill indicator on face of unit to provide a constant fluid level check.

Cap & Base: high impact black plastic with radius leading edges.

Sensor: Hands free application allows 1 - 1.5 Cc's (one drop) per dispensing cycle. LED flashes three (3) times means stand by for dispensing. When the LED flashes blue this indicates battery is low. Requires 4 AA batteries (not included). Alkaline type batteries recommended to provide maximum operation without changing batteries.

Soap Container: High capacity 800ml translucent plastic tank with flexible valve stem. Globe is equipped with large filler cap for easy servicing.

Lock: Vandal resistant security lock and key.

Overall Size: 4 3/4"W x 10 5/8"H x 4 1/8"D
121mm x 271mm x 105mm

INSTALLATION

If mounting on wall surface, transfer mounting hole dimensions from back of unit to wall surface. Drill pilot holes and secure unit to surface with proper fasteners. Sensor cannot be any higher than 40" above finished floor to comply with ADA code.

*It is not recommended to mount any soap dispenser on mirrors

**For best performance, use pre-mixed low concentrate solutions. Dispensers should have periodic maintenance performed to insure the life of the dispenser. Rinse out bottle and valve with warm water to prevent sludge buildup.

Preventative Maintenance: Each dispenser should be flushed out aprx. Every 30 days with warm water to prevent valve from clogging with old soap. Do not use abrasive cleaners to clean dispenser.

NOTES



U526-SM

Surface Mounted Sanitary Napkin & Tampon Dispenser

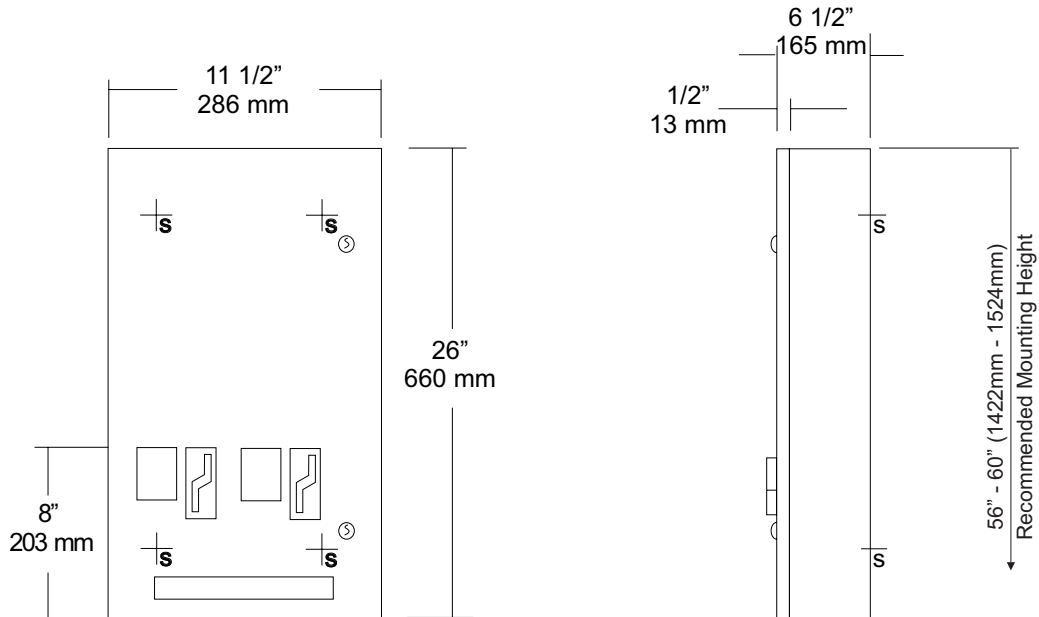
Revision 03/11

JOB #:

ITEM #:

QUANTITY:

MOUNTING	HANDING	TYPE	SIZE	OTHER



SPECIFICATIONS

Door: Fabricated of #18 ga stainless steel with #4 satin finish. Door has 1/2" returns for rigidity.

Body: Fabricated of #22 ga stainless steel with a #4 satin finish.

Coin Mechanisms: Two independent, trouble free turn knob mechanisms, with an "EMPTY" indicator that does not allow coins to be inserted into mechanism when product has been depleted. Operational with one hand with less than 5 lbs of force without tight grasping. Can be operated with palm, elbow or forearm if user has a physical impairment. (Free, .5, .10, .25, .50)

Hinges: Full length, heavy duty, stainless steel piano type hinge.

Locks: Pin tumbler, commercial quality, keyed like all other AJW cabinets. *(Coin box keyed differently then the door for security)

Overall Size: 11 1/2"W x 26"H x 6 1/2"D

292mm x 660mm x 165mm

Capacity: Napkins: 30, Tampons: 27

Verify Coinage: Napkin _____ Tampon _____

Recommended Package Sizes:

Napkins:

Min: 2 5/8"W x 4 1/8"L x 3/4"H

Max: 3 1/8"W x 4 1/2"L x 1 1/8"H

Tampons:

Min: 5/8" Dia. x 4 1/4"L

Max: 3/4" Dia. 5 1/8"L

INSTALLATION

Coordinate installation with architect or contractor to avoid interference with pipes, vents, etc. Open cabinet and transfer mounting points to wall surface after location is verified. Drill pilot holes and secure with proper fasteners per each application. Fill each chute with the proper products and make certain to place weights on the top product. Test operation of mechanism and dispensing of product before securing cabinet. Each cabinet comes with a parts list for ordering replacement parts if ever required.

*Note: Adjustable flange can be added to make unit Semi-Recessed. When mounted properly, unit will comply with ADA Code 4.27.4

NOTES

Formerly Model #: U527



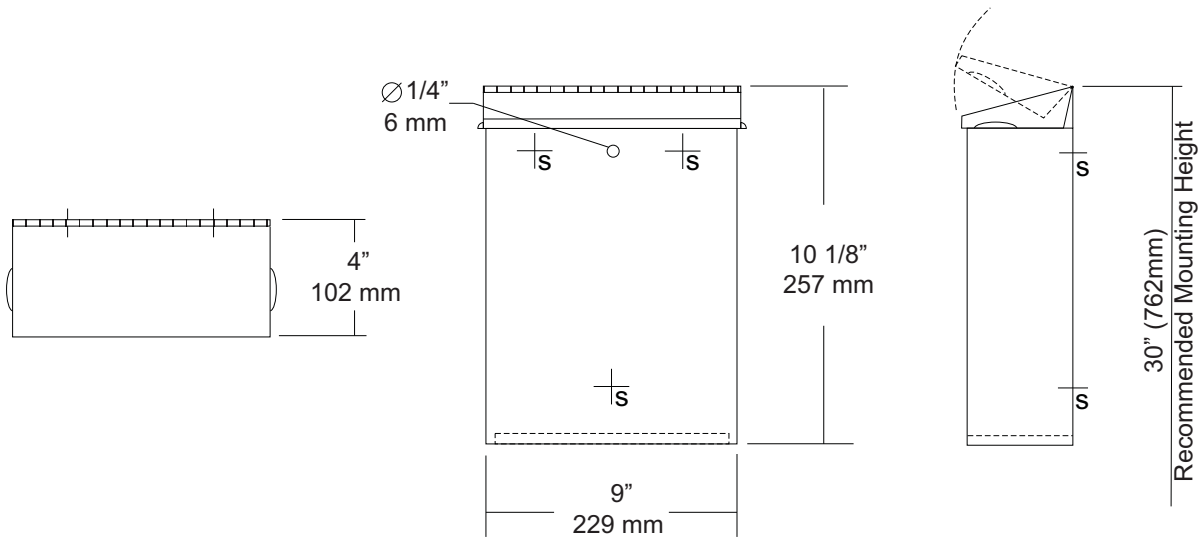
U591
Surface Mounted Sanitary Napkin
Disposal
Revision 1/14

JOB #:

ITEM #:

QUANTITY:

MOUNTING	HANDING	TYPE	SIZE	OTHER



SPECIFICATIONS

Cabinet Body: Fabricated of #22 ga stainless steel with #4 satin finish. Seamless construction with radius and hemmed edges.
Cabinet Back: Stainless steel welded to cabinet body with key hole mounting points.
Cover: Fabricated of #22 ga stainless steel #4 satin finish with embossed handles on each side and sloped top.
Hinge: Heavy duty, full length, stainless steel piano type hinge.
Overall Size: 9"W x 10 1/8"H x 4"D
229mm x 257mm x 102mm
Capacity: 1.6 gallons (.2 cu ft)
NDL-13-50: Waxed disposable liners. (50 per Case)

INSTALLATION

Provide an area at desired or specified location. Place unit on surface and transfer mounting points. Drill pilot holes and secure with proper fasteners. Install waxed liner.

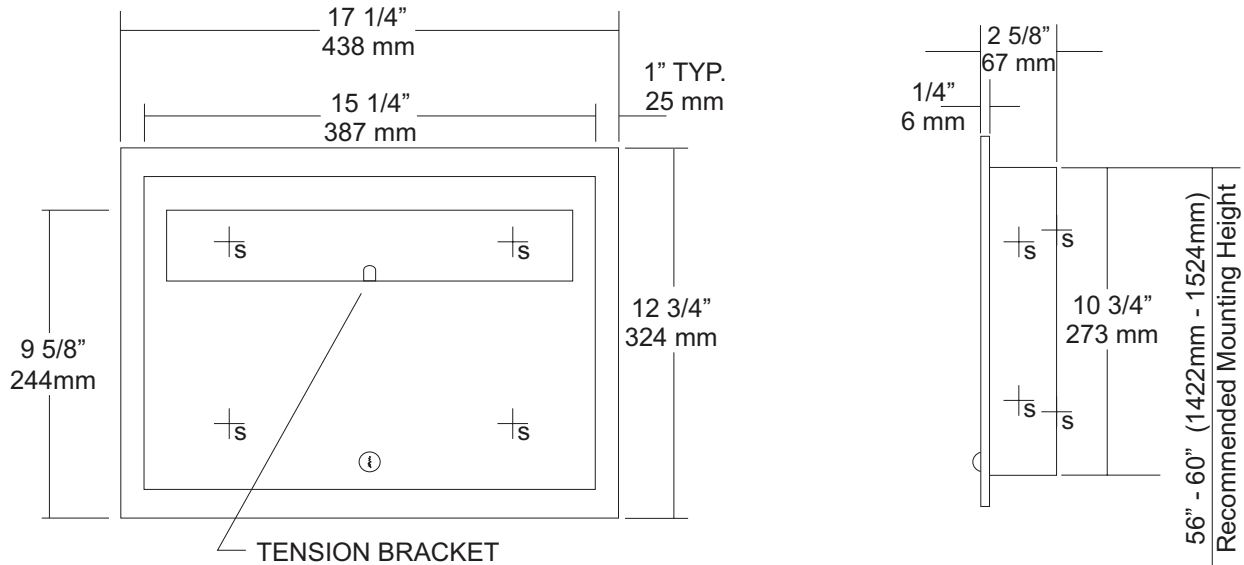
NOTES

JOB #:

ITEM #:

QUANTITY:

Mounting	Handing	Type	Size	Other



SPECIFICATIONS

Body: Fabricated of #22 gauge stainless steel with a #4 satin finish on all exposed surfaces.

Flange: #22 gauge stainless steel with 1/4" returns to wall without any miters.

Door: Fabricated of #22 gauge stainless steel with a #4 satin finish.

Locks: Pin tumbler, commercial quality locks keyed like all other AJW cabinets.

Overall Size: 17 1/4"W x 12 3/4"H x 2 5/8"D

438mm x 324mm x 68mm

Wall Opening: 15 3/4"W x 11 1/4"H x 2 3/8"D

400mm x 286mm x 60mm

U850-SM: Surface mounted unit

Capacity: 500 seat covers

INSTALLATION

Provide required wall opening at desired or specified location with coordination with architect or contractor to avoid interference with pipes, vents, etc. Unlock cabinet and place unit in opening. Secure to rough framing with proper fasteners per each application. Fill dispenser with product and secure cabinet door.

NOTES



U851 Seat Cover Dispenser

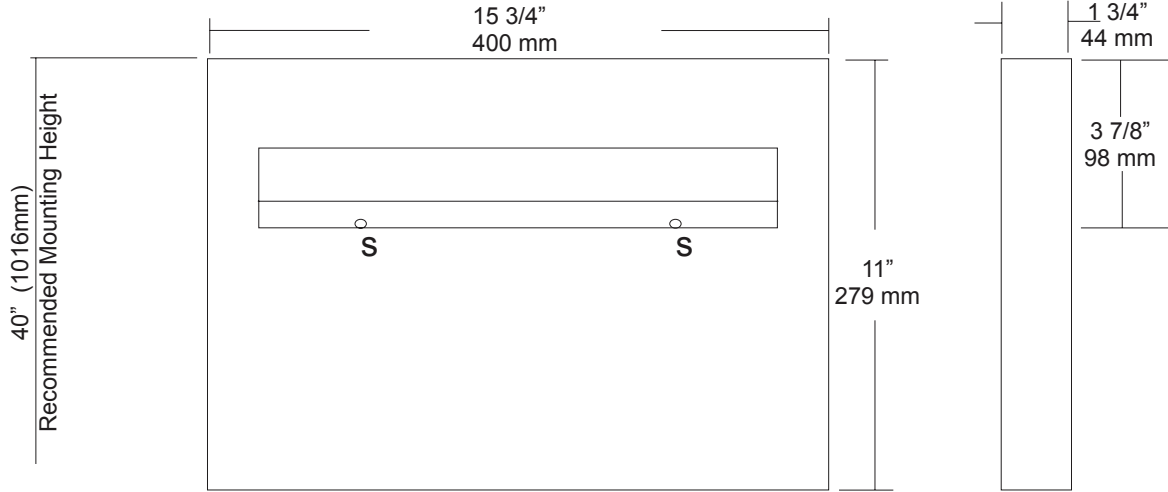
Revision 07/15

JOB #:

ITEM #:

QUANTITY:

MOUNTING	HANDING	TYPE	SIZE	OTHER



SPECIFICATIONS

Dispenser: Unit is fabricated of #22 gauge stainless steel with a #4 satin finish. Beveled edge around the dispensing areas ensures a clean dispensing area that prevents product from tearing and injury. Loading of product is accomplished from below without having to open any locking mechanism or access panel. Hat style mounting bracket provides added rigidity for body and acts as a support for the packaging.

Overall Size: 15 3/4"W x 11"H x 1 3/4"D

400mm x 279mm x 44mm

Capacity: 500 seat covers

INSTALLATION

Place unit on wall surface at desired or specified location making sure unit is level. Transfer mounting point locations and drill pilot holes for mounting. Secure unit to surface with proper fasteners per application. Product loads from the bottom out of site from public view.

NOTES