

date  
projectname  
attn  
from  
fax  
email  
phone

5/24/21  
Hand Dryer  
James  
Brittany  
  
support@ajw.com  
845-562-3332



# U1511EA Series

Low Profile Hands Free Dryer with  
Universal Voltage

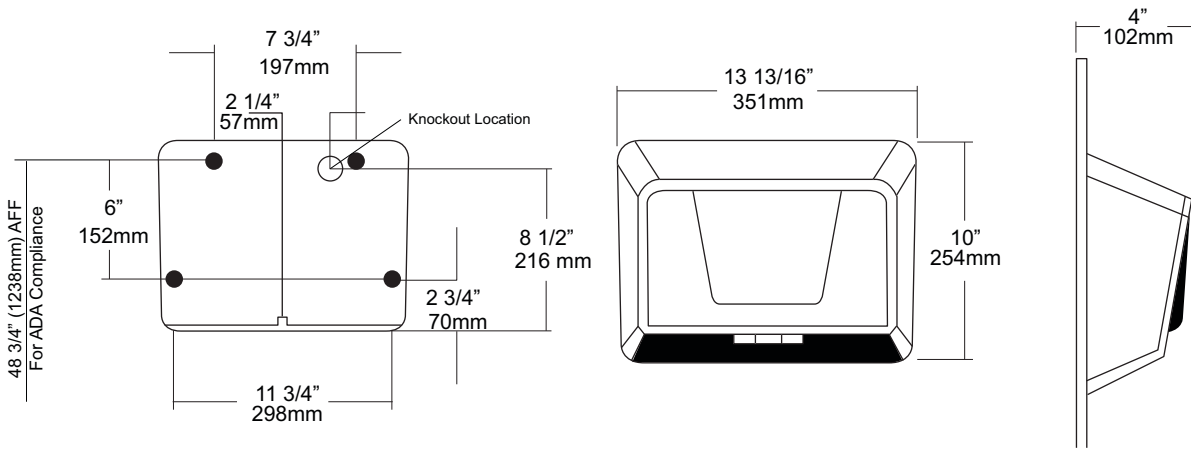
Revision 11/14

JOB #:

ITEM #:

QUANTITY:

MOUNTING	HANDING	TYPE	SIZE	OTHER



## SPECIFICATIONS      INSTALLATION

**Element:** Industrial strength coil wound on mica support protected by temperature limit.

**Circuitry:** Infrared microprocessor control allows multi- voltage application.

**Assembly:** Dual blower wheel and housing made of engineered thermoplastics powered by thermally protected brush motor. Assembled on a plated steel base plate for maximum strength and durability.

**Cover and Finish:**

**U1511EA:** Powder coated (white) formed steel alloy. Cover secured to base with theft resistant screws.

**U1511EA-SF:** satin stainless steel cover.

**Overall Size:** 13"W x 10"H x 4"D

**Specifications:**

**Motor:** 7500 RPM (Brushed motor)

**Sound Level:** 73 DB

Volts	Watts	Amps	Frequency
110-120	1800	15	50 hz or 60 hz
208-240	2400	10	50 hz or 60 hz

Coordinate installation with architect and contractor avoid interference with pipes, vents etc. Verify mounting height for each application for code compliance. Place template on wall surface and transfer mounting points, Drill holes for securing making sure power source is not be interrupted when base is installed, Remove cover. Unit must be installed by qualified licensed electricians. Properly connect power supply and test dryer for proper operation, Install cover and secure with theft resistant fasteners and test again. (15 second delay from when power is connected to when unit is operational)

**NOTES**

Formerly Model #: U1511EA



# U1512EA Series

## High Speed Hands Free Dryer

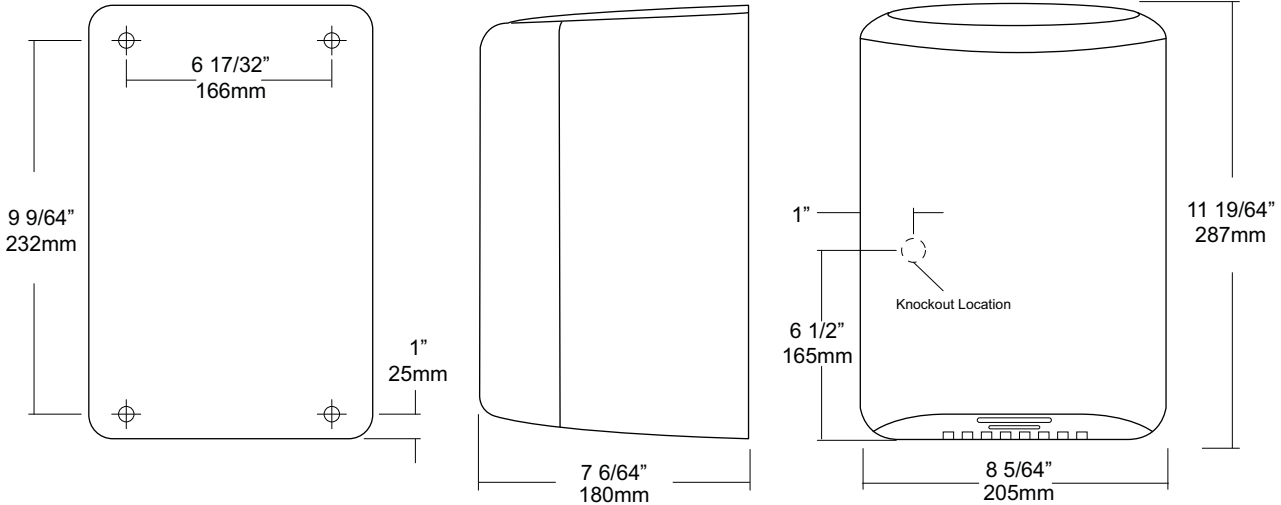
Revision 10/14

JOB #:

ITEM #:

QUANTITY:

MOUNTING	HANDING	TYPE	SIZE	OTHER



### SPECIFICATIONS

**Motor:** Brush type, dual ball bearings, 12000 – 18000 RPM (adjustable), 15/16 HP thermally protected against overheating and is auto resetting. Available in 120 or 230V with 50 / 60 HZ

**Heater Element:** 450 – 900 watt (adjustable) Air output temperature is 113 degrees F at nozzle with an ambient temperature of 68 degrees F. Dryer shall deliver 51-68 CFM

**Drying:** 15 second drying time in optimum conditions. Timing protection feature of 60 seconds will automatically turn off and not restart until the sensor reset's itself.

**Sensor:** Hands free operation with adjustable sensor range 2" – 13". Standard range is 7".

**Cover:** High gloss white painted steel cover secured to base with theft resistant fasteners.

**Overall Size:** 8 5/64"W x 11 19/64"H x 7 6/64"D  
(205mm x 287mm x 180mm)

**U1512EA-SF:** Same as U1512EA with satin finish, stainless steel cover.

Unit	Volts	Amps	Cycles
U1512EA	120V	110-120	14 50/60
U1512EA	230V	208-230	7 50/60

### INSTALLATION

Coordinate installation with architect and contractor to avoid interference with pipes, vents, etc in wall. Insure the service for the hand dryer is correct for the dryer being installed. The dryer must be installed by a licensed electrical contractor to honor warranty. Place template on wall surface and transfer all mounting point locations. Check all codes for proper mounting heights for each application. All mounting heights must be based on a finished floor to eye sensor location dimension. Secure base to wall surface with proper anchors. (Anchoring devices not supplied) Properly connect power supply to dryer and test operation before securing cover. After dryer checks good secure cover with theft resistant fasteners supplied. Test dryer again for proper operation. Recommend one dryer for every two basins.

### NOTES

Formerly Model #: U1512EA



# U1521EA Series

## Stainless Steel Hands Free Dryer

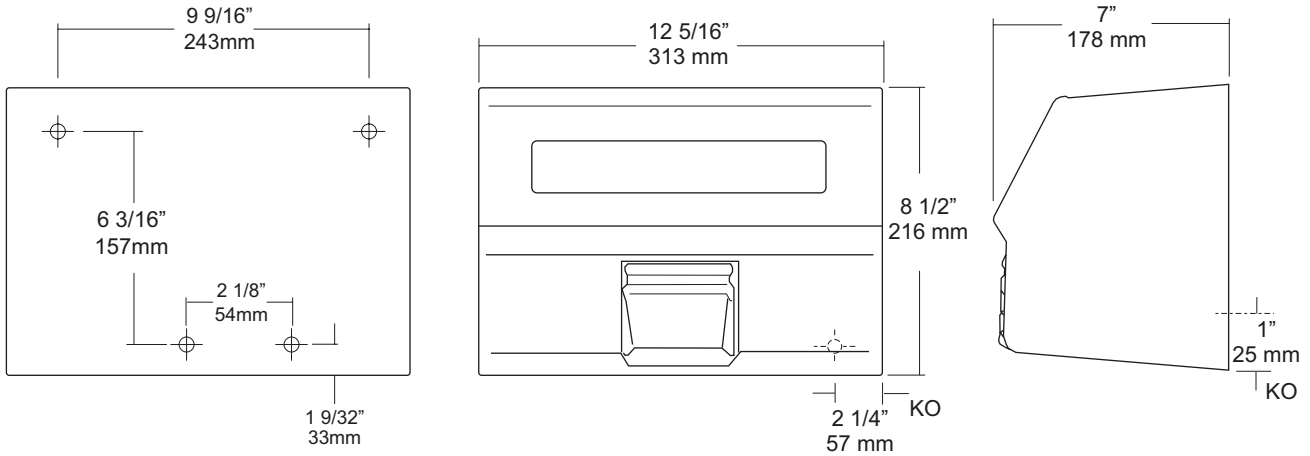
Revision 11/14

JOB #:

ITEM #:

QUANTITY:

MOUNTING	HANDING	TYPE	SIZE	OTHER



### SPECIFICATIONS

**Motor:** Brushless, 1/8 hp, 3450 RPM capacitor initiated with non-lubricating bearings and thermally protected against over heating. 66.1 dB.

**Fan:** Dynamically balanced to eliminate vibration & noise.

**Heating Element:** Dynamically balanced to eliminate vibration & noise. 2300 watt nichrome coil would element on state of the art convective cooling system. Ambient temp produced at nozzle is 70 degrees F.(21 C) Unit is protected by an integral thermal safety circuit breaker.

**Timer:** Fully enclosed, non-mechanical timer, that automatically turns off when hands are moved away from path of sensor.

**Electric Eye:** Sensor allows a hands free operation. When sensor beam path is disturbed, dryer will automatically turn on. When hands move away from beam, dryer stops.

**Cover:** Fabricated of #18 ga stainless steel, #4 satin finish, spot welded to form one piece unibody construction. Cover is secured to base with two tamper resistant fasteners. Special key provided to remove cover. All seams polished smooth.

**Nozzle:** Fixed chrome plated nozzle that can be changed from fixed to 2 position in the field.

**Base:** One piece #14 ga steel with 3/4" returns to wall surface for maximum strength and rigidity.

Unit	Volts	Amps	Cycles	Cover
U1521EA	120V	110-120	20 60	S/S
U1521EA	230V	220-230	10 60	S/S

**Overall Size:** 12 5/16"W x 8 1/2"H x 7"D  
313mm x 216mm x 178mm

### INSTALLATION

Coordinate installation with contractor, architect and licensed electrician. Transfer mounting points to wall surface with supplied templates. Check all code requirements for proper mounting heights. Secure base with proper fasteners for each application. Properly connect power supply to dryer. Test dryer for operation. Secure cover to base with supplied theft resistant fasteners(2). Test dryer again after cover is secured. Dryers have a full five (5) year warranty to original purchaser against defective materials and workmanship. Unit must be installed by a qualified licensed electrician.

Mounting	Hands	Hair
Men	46" (1168mm)	73" (1854mm)
Women	44" (1118mm)	68" (1727mm)
Physically Impaired	38" (965mm)	46" (1168mm)
Children 6-10	34" (864mm)	43" (1092mm)
Children 11-14	42" (1067mm)	56" (1422mm)

\*Above are recommended mounting heights from lower mounting point above the finished floor.

### NOTES

Formerly Model #: U1521EA



# U1525EA Series

White Hands Free Dryer

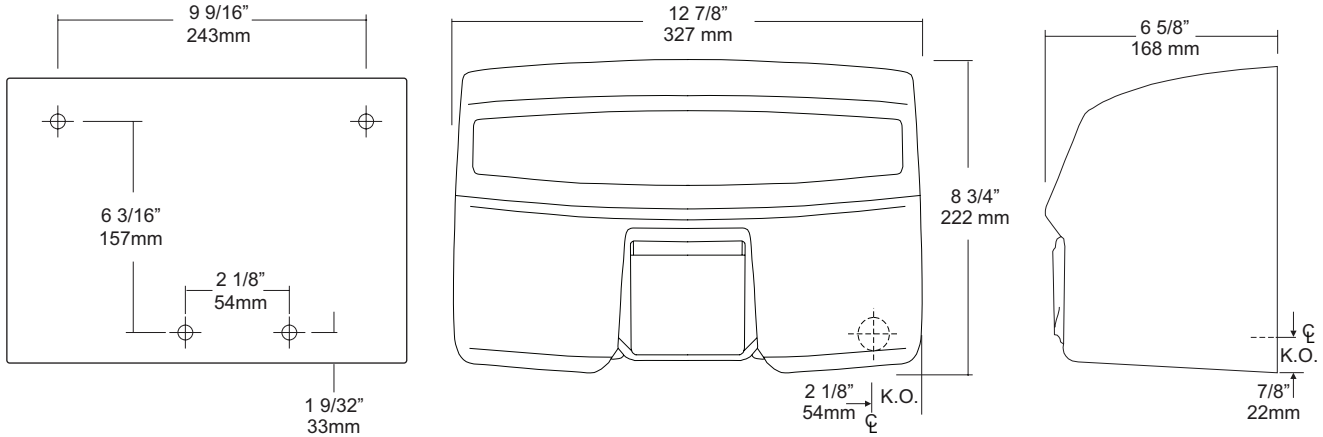
Revision 12/14

JOB #:

ITEM #:

QUANTITY:

MOUNTING	HANDING	TYPE	SIZE	OTHER
----------	---------	------	------	-------



## SPECIFICATIONS

**Motor:** Brushless 3450 RPM, 1/8 hp motor, capacitor initiated, thermally protected against overheating. 66.1 dB.

**Fan:** Dynamically balanced to eliminate vibration/noise.

**Heating Element:** 2300 watt nichrome wire, mounted on state of the art convective heating injection system mounted to blower housing, protected by integral safety circuit breaker.

**Timer:** Fully enclosed electronic timer that automatically turns off when hands are moved away from path of sensor.

**Electric Eye:** Sensor allows a hands free operation. When sensor beam path is disturbed, dryer will automatically turn on. When hands are moved away from beam, dryer stops.

**Cover:** Heavy die cast aluminum with baked white enamel finish and ribbed for added strength. Secured to base with two theft resistant fasteners. Chrome plated nozzle can be fixed or two position.

**Base:** One piece #14 ga steel with 3/4" returns to wall for maximum strength and rigidity.

Unit	Volts	Amps	Cycles
U1525EA	120V	110-120	20 60
U1525EA	230V	208-230	10 60

**Overall Size:** 12 7/8"W x 8 3/4"H x 6 5/8"D  
327mm x 222mm x 168mm

## INSTALLATION

Coordinate installation with contractor, architect and licensed electrician. Transfer mounting points to wall surface with supplied template. Check all code requirements for proper mounting heights. Secure base to surface with proper fasteners per application. Properly connect power supply to dryer and test operation. Secure dryer to base and test dryer again after cover is secured. Recommend 1 dryer per basin. Dryers have a full five (5) year warranty to original purchaser against defective materials and workmanship. Unit must be installed by a licensed electrician.

Mounting	Hands	Hair
Men	46" (1168mm)	73" (1854mm)
Women	44" (1118mm)	68" (1727mm)
Physically Impaired	38" (965mm)	46" (1168mm)
Children 6-10	34" (864mm)	43" (1092mm)
Children 11-14	42" (1067mm)	56" (1422mm)

\*Above are recommended mounting heights from lower mounting point above the finished floor.

## NOTES

Formerly Model #: U1525EA