

date
projectname
attn
from
fax
email
phone

9/28/16
Gateway Adult Crisis Center
Studio 8 Design
Austin Stone



U7018B Series

Stainless Steel Frameless Mirror

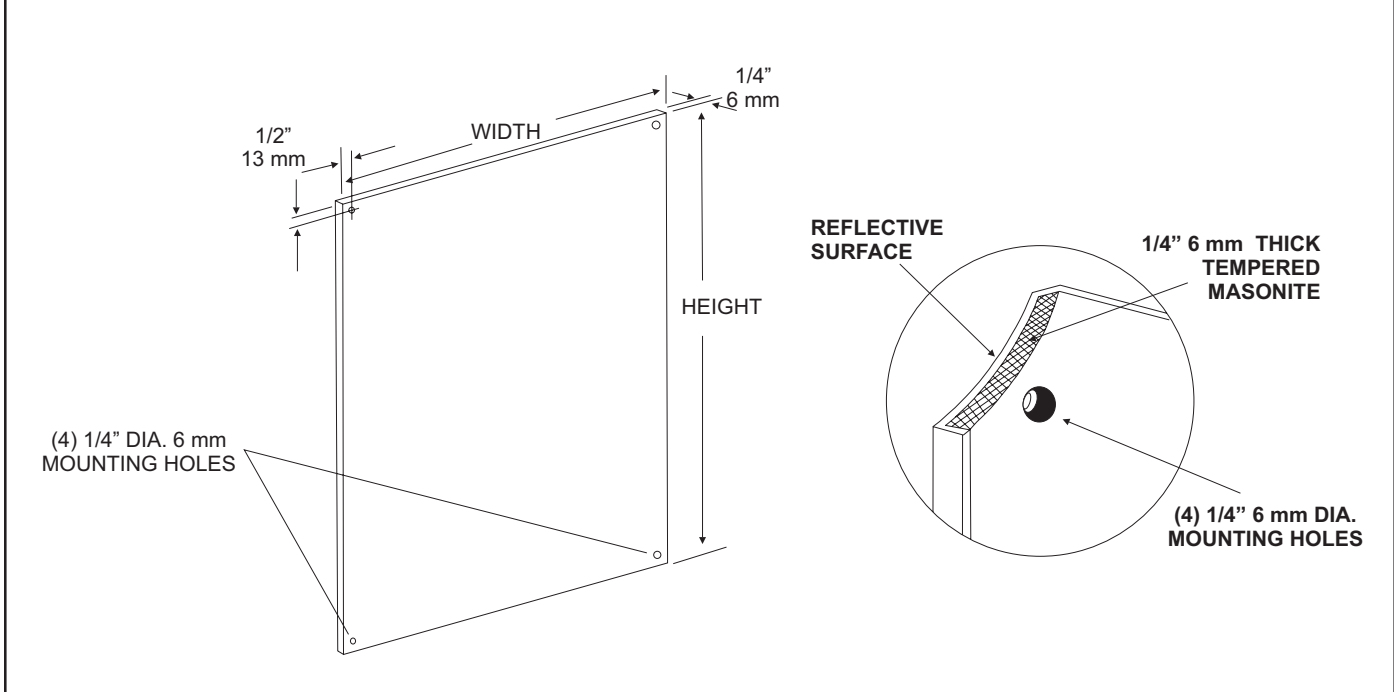
Revision 06/11

JOB #:

ITEM #:

QUANTITY:

MOUNTING	HANDING	TYPE	SIZE	OTHER



SPECIFICATIONS

Mirror: Type 304 #20 ga stainless steel with #8B architectural finish. Both mirrors have 1/4" returns to wall surface for rigidity surrounding 1/4" thick tempered masonite backing. 1/4" diameter exposed mounting points are provided. Each mirror is shipped with a removable vinyl protective coating.

Note: Stainless steel mirrors reflect images in different optic quality than plate glass. There will be a slight distortion which increases proportionately with the mirror size. Therefore we cannot be held responsible for quality of image.

Cleaning: Non-abrasive and non-chloric solutions should be used to clean stainless steel mirrors.

These Mirrors are always ordered Width x Height

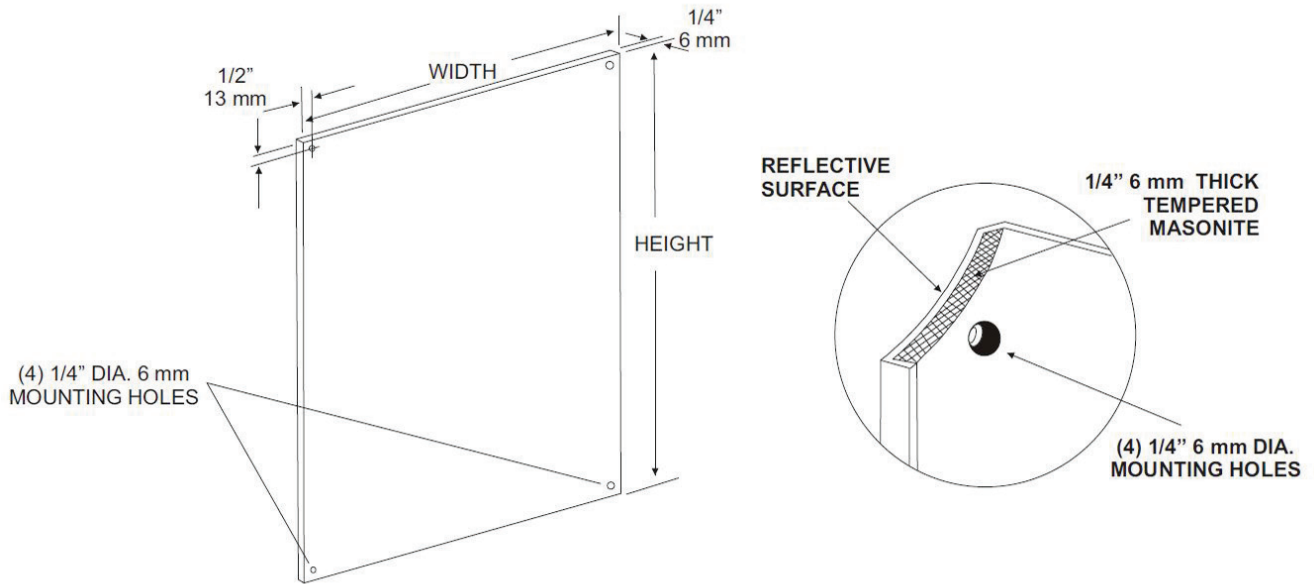
INSTALLATION

Provide an area at desired or specified location and strike a line that is level. Place mirror at this line and check again with level. Transfer mounting locations to wall surface and drill pilot holes. Peel off vinyl coating around corners only before securing to wall. Secure mirror with proper fasteners per each application. Do not over tighten fasteners. If a depression is formed by over-tightening the reflective quality may be affected. Remove remainder of vinyl coating after mirror checks with level and is properly secured. The bottom reflective surface edge must be mounted 40" above finished floor to comply with ADA code, 4.19.6.

NOTES

U7018B

Installation Instruction Sheet



INSTALLATION

Provide an area at desired or specified location and strike a line that is level. Place mirror at this line and check again with level. Transfer mounting locations to wall surface and drill pilot holes. Peel off vinyl coating around corners only before securing to wall. Secure mirror with proper fasteners per each application. Remove remainder of vinyl coating after mirror checks with level and is properly secured. The bottom reflective surface edge must be mounted no higher than 40" above finished floor to comply with ADA code, 4.19.6.

CARE & CLEANING

Wipe mirrors with a soft cloth, taking special care not to rub stainless steel mirrors in a circular motions to avoid scratching. Do not use abrasive cleaners containing chloric solutions on stainless steel mirrors. Glass Plus or other window cleaning products are ideal.



U931

Recessed Fold Down Shower Seat

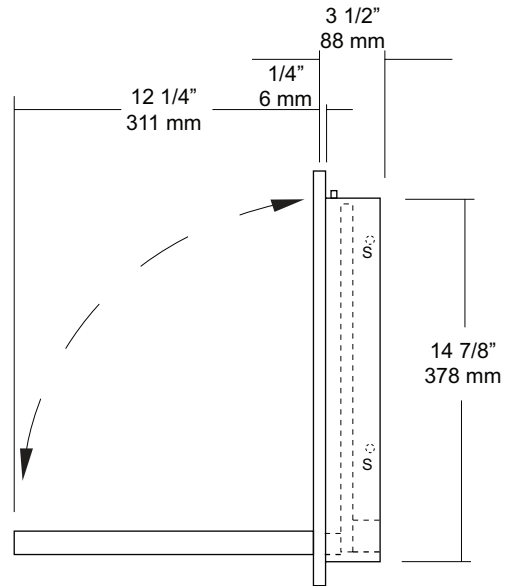
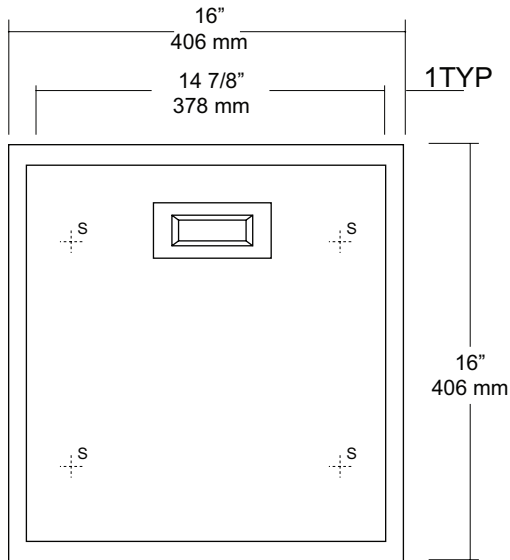
Revision 03/11

JOB #:

ITEM #:

QUANTITY:

MOUNTING	HANDING	TYPE	SIZE	OTHER



SPECIFICATIONS

- Concealed Cabinet:** #11 gauge stainless steel.
- Seat:** Fabricated of #16 gauge stainless steel double pan construction with a #4 satin finish with heliarc welded seams polished smooth. Equipped with a recessed handle for convenient raising and lowering of seat. (300 lb load capacity)
- Flange:** Integral part of the body fabricated of #22 gauge stainless steel with #4 satin finish and 1/4" returns to wall surface for rigidity.
- Locking Mechanism:** Concealed friction button catch secures seat in place when in the raised position.
- Overall Size:** 16"W x 16"H x 3 1/2"D
406mm x 406mm x 70mm
- Wall Opening:** 15 1/4"W x 15 1/4"H x 2 5/8"D
387mm x 387mm x 80mm

INSTALLATION

Provide a wall opening 15 1/4" x 15 1/4" x 2 5/8" at desired or specified location. Coordinate with contractor and architectural plans for pipes, vents etc in wall. Secure seat to proper backing and framing with proper fasteners per application. (Fasteners not supplied) If this seat is being secured for a security type application, proper security style fasteners should be used. (Not supplied)

Proper mounting height above finished floor is 17" - 19". Check all state and local building codes.

NOTES



US130-A Series

Security Straight Grab Bar

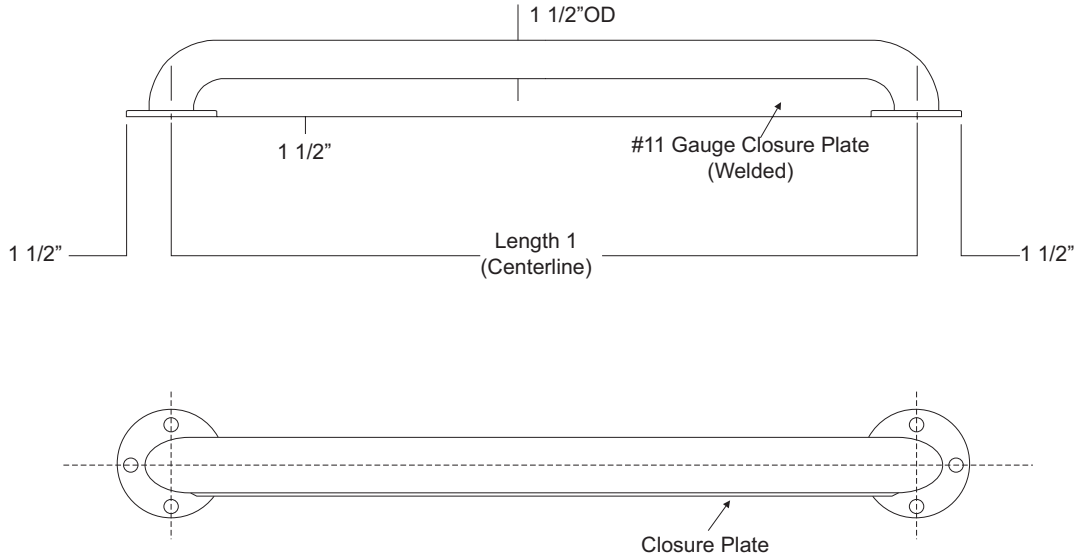
Revision 09/11

JOB #:

ITEM #:

QUANTITY:

MOUNTING	HANDING	TYPE	SIZE	OTHER



SPECIFICATIONS

Tubing: Fabricated of #18 ga stainless steel with a #4 satin finish and 1 1/2" outside diameter. All bends are formed by an automatic mandrel bending process. All bars maintain a constant 1 1/2" offset.

Flanges: Fabricated of 3" diameter, #11 ga stainless steel with #4 satin finish to match tubing. Flanges are heliarc welded to bar to form a one piece construction. Each flange has three (3) mounting points (1/4" dia.)

Closure Plate: Fabricated of #11 gauge stainless steel welded to the underside of the bar.

Strength: Bars that provide a 1 1/2" offset can support loads in excess of 900 lbs when properly installed. Other configurations can support loads excess of 250 lbs when properly installed. Grab bars must be installed properly to support the loads intended.

US130: Security Grab Bar, satin finish

US130X: Security Grab Bar, non-slip finish

"A" Style: 12" min. to 48" max. centerline dimension.

***When measuring and ordering grab bars, remember bars are sized centerline to centerline.**

***Grab Bars comply with ADA Code 4.26.2**

***Non-chloric and non-abrasive cleaners should be used to clean surface of bars and flanges.**

INSTALLATION

Before installing grab bars, verify with all state and local codes for requirements on bar diameter and type finish. Recommended mounting heights for grab bars are 33" - 36" centerline above finished floor. All mounting of grab bars when possible should have in wall mounting back plates. Find centerline mounting points and place bar on line making sure to be on center. Transfer mounting points (3 per flange) to wall. Drill pilot holes and secure bar with proper anchors per application.

NOTES



US75

Security Mount Toilet Tissue Holder

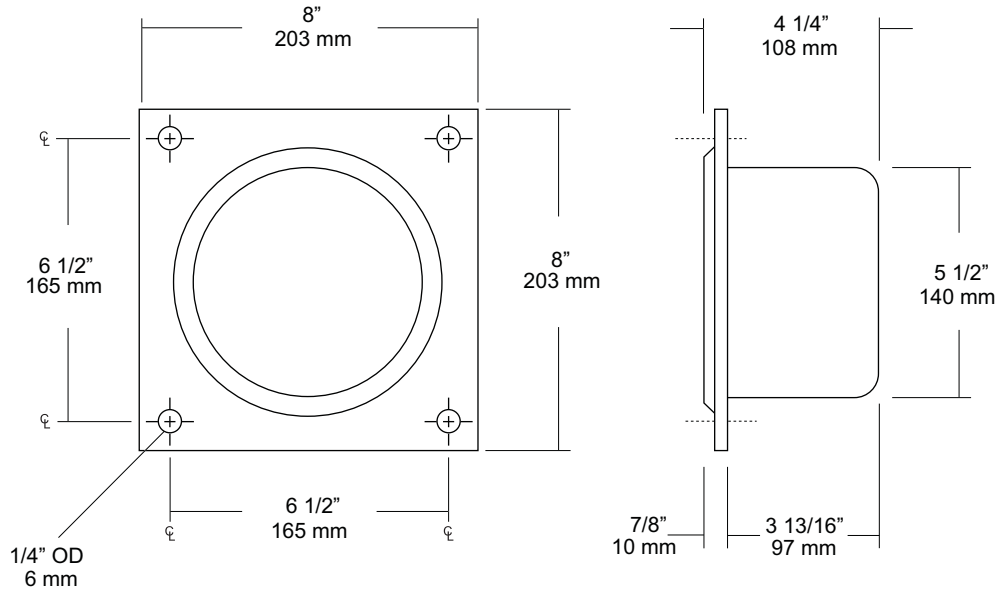
Revision 12/13

JOB #:

ITEM #:

QUANTITY:

MOUNTING	HANDING	TYPE	SIZE	OTHER



SPECIFICATIONS

Tissue Holder: Toilet tissue holder is fabricated of #16 gauge stainless steel with a satin finish on all exposed surfaces. Unit is a drawn one-piece construction. Rim is beveled to form a snug fit against square flange.

Flange: Fabricated of #16 gauge stainless steel with a satin finish with four (4) 1/4" dia. mounting points. Flange is a separate piece secured to deep drawn tissue holder.

Overall Size: 8"W x 8"H" x 4 1/4"D
203mm x 203mm x 108mm

Wall Opening: 5 3/4" diameter x 4"D
146mm x 121mm

Capacity: One standard size roll with a 5 1/4" (133mm) OD

INSTALLATION

Coordinate installation with contractor or architect to avoid interference with pipes, vents, etc. In wall. Provide a wall opening on 5 3/4" diameter. Minimum wall depth required is 4"D. Transfer flange mounting points to wall surface. Drill four (4) points for fasteners per application. Secure unit with proper fasteners. Theft resistant fasteners are not provided.

Toilet Paper Dispensers: All dispensers that are to meet ADA code cannot have any type of controlled delivery. (4.16)

NOTES



US80
Security Recessed Soap Dish

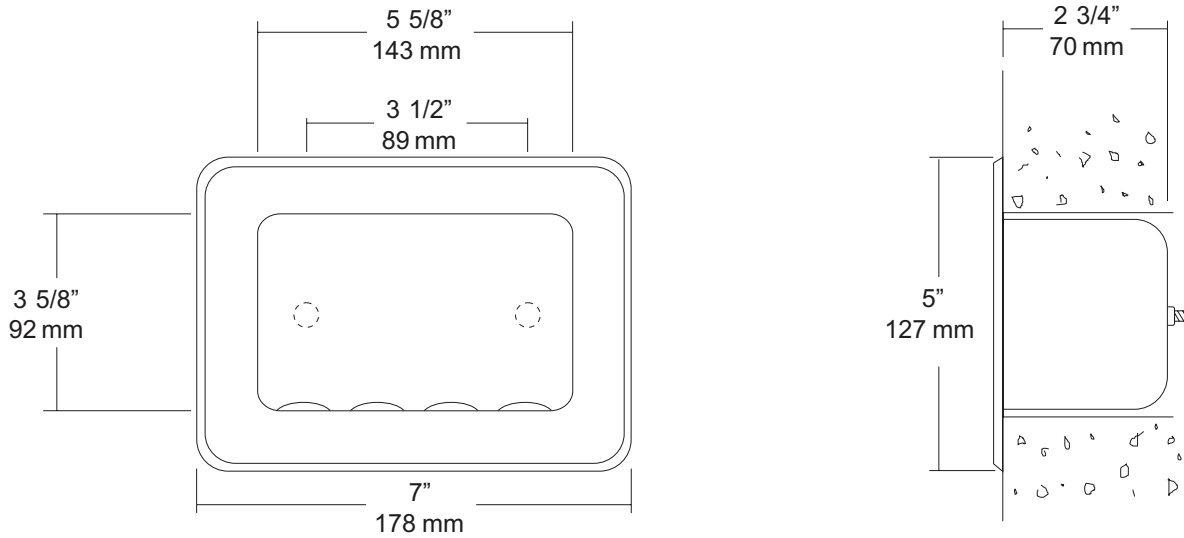
Revision 05/11

JOB #:

ITEM #:

QUANTITY:

MOUNTING	HANDING	TYPE	SIZE	OTHER



SPECIFICATIONS

Soap Dish: Fabricated of #16 gauge stainless steel with a #4 satin finish on all exposed surfaces. Unit is drawn one-piece seamless construction. Outer edge of holder is beveled to provide a snug fit against wall surface. Back of unit has welded anchor nuts to receive threaded securing rods. Bottom of soap dish (internal) has raised areas to allow air flow to prevent soap from sticking to holder.

Overall Size: 7"W x 5"H x 2 3/4"D

178mm x 127mm x 70mm

Wall Opening: 5 7/8"W x 3 7/8"H x 2 3/4"D

149mm x 98mm x 70mm

INSTALLATION

Coordinate installation with contractor and architect to avoid interference with pipes, vents, etc. In wall. Provide a rough wall opening 5 7/8"W x 3 7/8"H x 2 3/4"D. Measure the wall depth and cut the rods to required length. Insert rods through back plate and secure with washers and nuts. (Washers and nuts not included)

NOTES