

date
projectname
attn
from
fax
email
phone

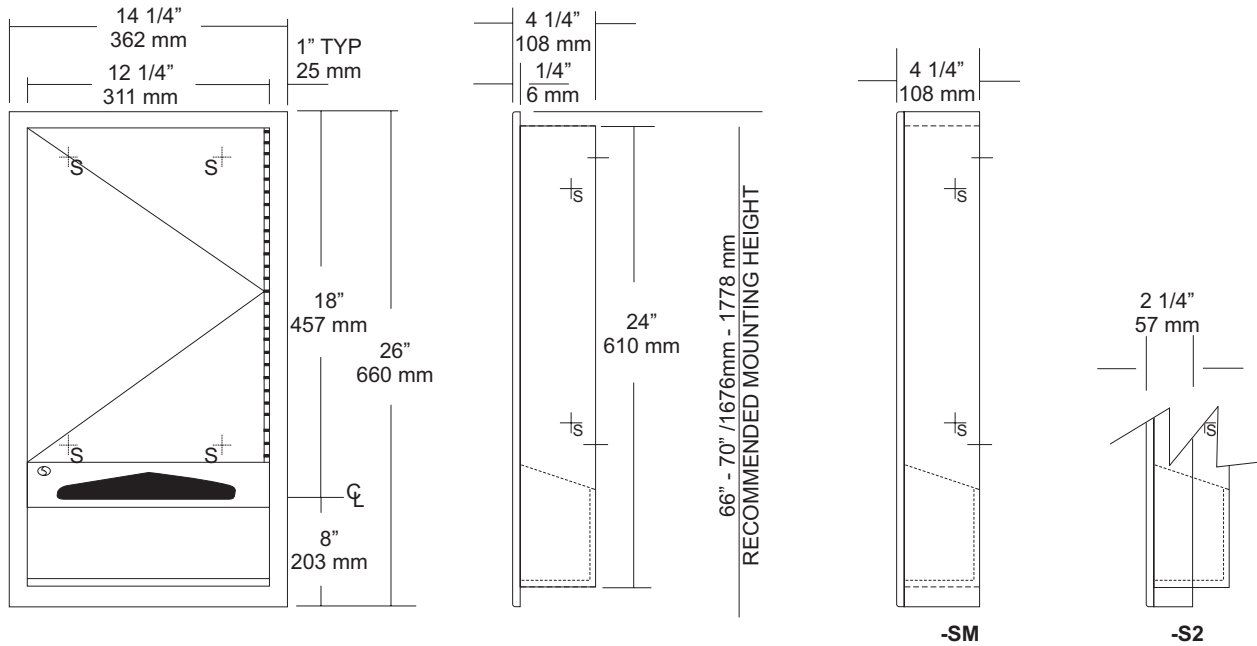
08/31/16
Brethren Village - Village Center
Peter Schaaf

JOB #:

ITEM #:

QUANTITY:

MOUNTING	HANDING	TYPE	SIZE	OTHER



SPECIFICATIONS

Cabinet Body: Fabricated of #22 ga stainless steel. Face trim is an integral part of body with a #4 satin finish and 1/4" returns to wall surface for rigidity. One piece construction without miters or welds.

Cabinet Door: Fabricated of #22 ga stainless steel with a #4 satin finish. Full length door stops protect door from vandalism.

Cabinet Back: Fabricated of #22 ga stainless steel with multiple welds to cabinet body:

Towel Dispensing: Hemmed edges that prevent injury and towel tearing.

Hinges: Heavy duty, full length, stainless steel piano type hinge secured door to cabinet.

Lock: Commercial quality, pin tumbler type lock keyed like all other AJW accessories.

Collars: Fabricated of #22 ga stainless steel finished to match cabinet for surface or recess mounting.

Overall Size: 14 1/4"W x 26"H x 4 1/4"D

362mm x 660mm x 108mm

Wall Opening: 12 3/4"W x 24 1/2"H x 4"D

324mm x 622mm x 102mm

U230-S2: 2" semi-recessed collar, 2" wall opening 51mm.

U230-SM: Full surface mounted collar.

Capacity: 600 c-fold or 800 multifold Towels

INSTALLATION

Coordinate installation with architect and contractor to avoid interference with pipes vents etc. in wall. Provide a rough wall opening 12 3/4"W x 24 1/2"H. See specification for proper wall depth opening. Open cabinet and insert into wall opening. Secure with proper fasteners per each application. Fill unit with recommended towels, without overfilling. Make sure towels overlap each other so they will be available each time a towel is removed from dispensing area. Do not use abrasive or chloric solutions when cleaning cabinet.

NOTES



U470-13

Free Standing Waste Receptacle

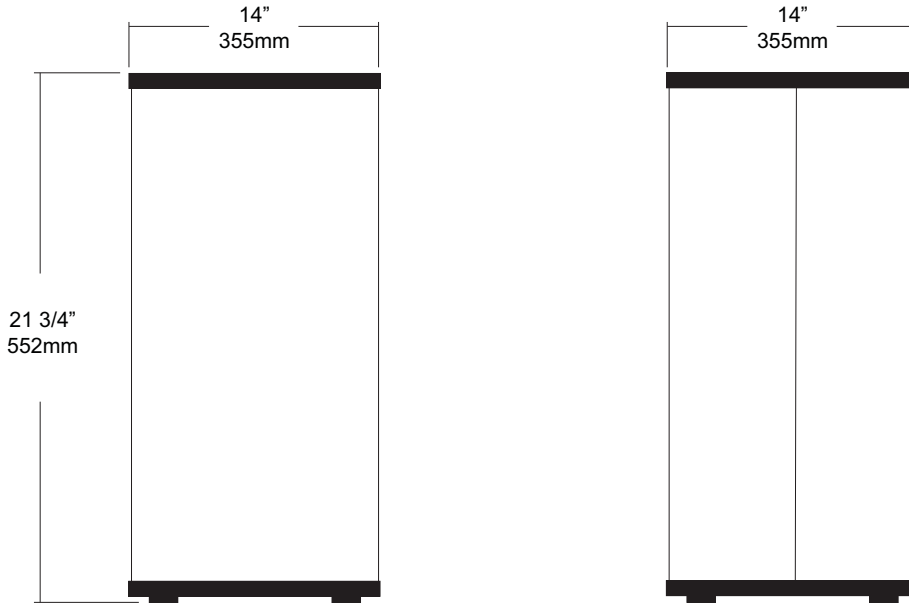
Revision 05/14

JOB #:

ITEM #:

QUANTITY:

MOUNTING	HANDING	TYPE	SIZE	OTHER



SPECIFICATIONS

Body: Fabricated of #22 ga stainless steel with a #4 satin finish. Fully welded construction to form a one-piece body with radius corners to prevent injury. Each corner has an additional angled bracket to insure maximum rigidity.

Base: Fabricated of stainless steel welded to body with multiple welds.

Bumpers: Top and bottom wall vinyl bumpers protect wall surface from damage when receptacle is being moved around or serviced.

Feet: Rubber feet provide unit stability and prevent floor from being scratched.

Overall Size: 14"W x 21 3/4"H x 14"D

355mm x 552mm x 355mm

Waste Capacity: 13 gallons (1.73 cu ft)

-VL36 (Vinyl liner)

INSTALLATION

Waste receptacles can be placed in area that will not interfere or obstruct passage areas. Units can be easily serviced by removing swing top and emptying contents. If open top type dispenser is ordered, separate swing top (U473) can be ordered to fit.

NOTES

Formerly Model #: U470



U480
Countertop Waste Chute

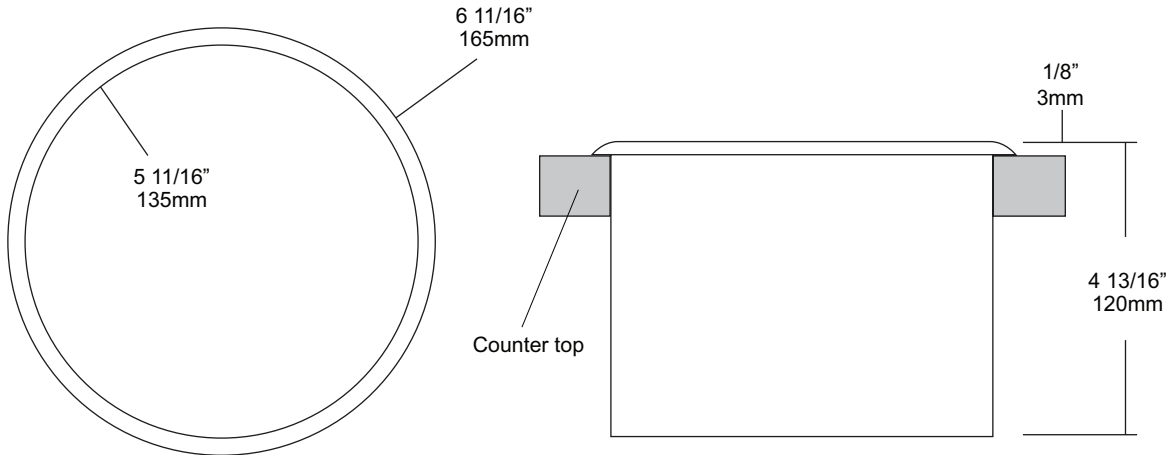
Revision 03/11

JOB #:

ITEM #:

QUANTITY:

MOUNTING	HANDING	TYPE	SIZE	OTHER



SPECIFICATIONS

Waste Chute: Fabricated of #22 ga stainless steel with a bright polished finish on all exposed surfaces seamless one piece construction.

Overall Size: 6 11/16" OD x 4 13/16"D

169mm x 122mm

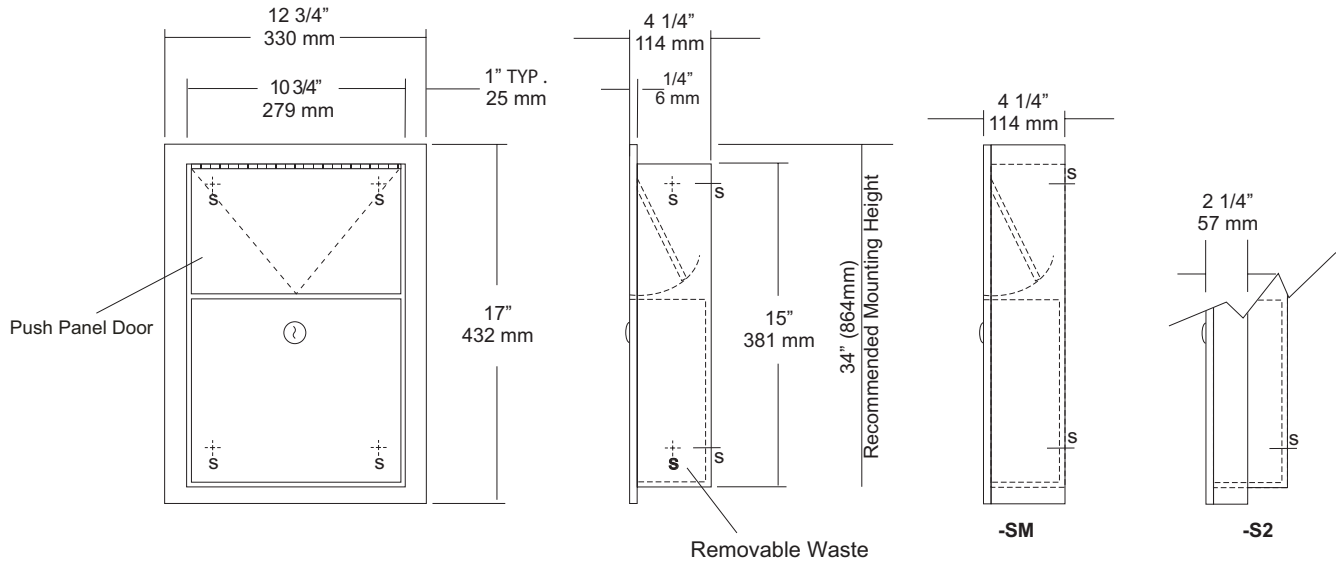
Counter top Opening: 5 13/16" diameter

INSTALLATION

Provide an area on counter top at desired or specified location. Coordinate installation with architect contractor to avoid interference with pipes. Cut 5 13/16" diameter opening for chute using proper tools. Fill in the underside of flange and around the area of the cut out counter top with silicone (not provided) and insert into opening. Clean off any excess sealant above and below counter. Waste receptacle is not provided and must be purchased separately.

NOTES

MOUNTING	HANDING	TYPE	SIZE	OTHER



SPECIFICATIONS

Body: Fabricated of #22 ga stainless steel, #4 satin finish.

Flange: Fabricated of #22 ga stainless steel #4 satin finish, drawn one piece construction with 1/4" returns to wall surface. (Without miters or welds)

Push Panel: #22 ga stainless steel self closing push panel door.
*International Graphic Symbols are optional.

Waste: #22 ga stainless steel, removable type waste, secured by pin tumbler lock. Pin tumbler commercial quality locks, keyed like all other AJW cabinets. *(Optional finger grip in lieu of lock)

Hinges: Full length, heavy duty, stainless steel hinge.

Collars: #22 ga stainless steel finished and sized to match cabinet.

Overall Size: 12 3/4"W x 17"H x 4 1/4"D
330mm x 432mm x 108mm

Wall Opening: 11 1/4"W x 15 1/2"H x 4"D
292mm x 394mm x 108mm

Capacity: 1.5 gallons (.2 cu ft)

U581-S2: semi-recessed Disposal

Wall Opening: 11 1/4"W x 15 1/2"H x 2"D
292mm x 394mm x 51mm

NDL-13-50: Waxed disposable liners(50 per Case)

C12174 : Collar will convert recessed to surf mounted.

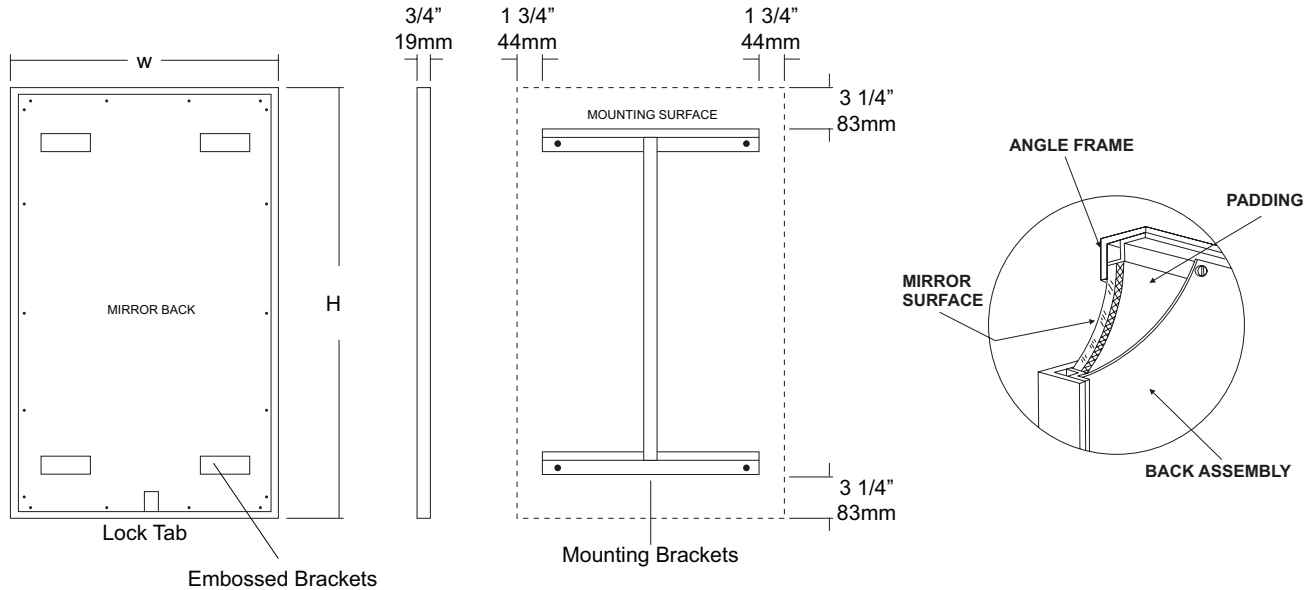
U581-PW: Same as U581 with plastic removable waste.

INSTALLATION

Coordinate installation with architect or contractor to avoid interference with pipes, vents, etc. Provide a rough wall opening 11 1/2"W x 15 1/2"H. Verify depth for either the recessed or semi-recessed model. Remove waste from cabinet and secure in opening with proper fasteners for each application making sure unit is level.

NOTES

MOUNTING	HANDING	TYPE	SIZE	OTHER



SPECIFICATIONS

Frame: Fabricated of #18 ga stainless steel, #4 satin finish. 3/4" x 3/4" frame with welded mitered corners are ground and polished smooth. #22 ga concealed "Z" channel is spot welded to inner perimeter of frame for reinforcement and greater rigidity.

Mirror: 1/4" thick type 1 transparent flat type, class 1 - clear glass mirrors. Mirror is coated with silver and sealed with a uniform electrolytic copper plating, along with two coats of paint for added protection. Mirrors are guaranteed against silver spoilage for a period of 15 years. Mirrors conform to ASTM C1036 and ASTM C1503-R8.

Filler: 3/16" thick full size, shock absorbing, water resistant, non-abrasive polyethylene padding protects all concealed mirror surfaces.

Back: #20 ga pre-plated galvanized steel, with embossed horizontal louver mounting brackets. Embossed theft resistant pressure activated clip lock device, locks mirror in place to wall hangers. Back is secured to frame with concealed Phillips head screws.

Hangers: Fabricated of #20 ga pre-plated steel galvanized steel with mounting points.

Standard Sizes Available (W x H): 16"x24", 16"x20", 16"x30", 18"x24", 18"x30", 18"x36", 20"x60", 24"x30", 24"x36", 24"x42", 24"x48", 18"x60", 24"x60", 24"x72", 18"x72"

Options:

- LG:** Laminated Glass
- LX:** Polycarbonate
- PM:** Plastic Acrylic
- T:** Tempered Glass
- VC:** Vinyl Clad (Safety Glass)
- 8B:** #8 Reflective Stainless Steel

* Stainless steel mirrors reflect images in different optic quality than plate glass. There will be a slight distortion which increases proportionately with the mirror size. Therefore, AJW Architectural Products™ cannot be held responsible for quality of image.

** Mirrors are always ordered Width x Height

*** Recommended max size for 8B mirrors: 72" x 47-1/2"

**** Framed mirrors are fabricated to a tolerance of (+/-) 1/8"

***** Mirrors conform to Federal Specifications DD-M-00411b & DDg-541D.

INSTALLATION

Coordinate installation with architect / contractor for specific mounting location and height for each mirror application. Making sure "I" bracket is level, transfer all mounting point locations to wall surface from drawing. Secure brackets with proper fasteners for each application. Slide mirror down over horizontal brackets until clip lock secures mirror in place. Mirror can only be removed by inserting tool through hole at bottom of frame depressing clip. This will allow mirror to slide up over brackets. Fillers are available if mirrors are mounted above and below tile line. (U004 Filler) filler material will match mirror frame to form a one piece construction.

To meet ADA Code, bottom edge of reflective surface can be no higher than 40" above finished floor. (4.19.6) Full length mirrors may be used for universal application when installed in correct locations.

Abrasive cleaners & chloric solutions should not be used on mirrors. Discoloring and /or scratching of frame and reflective surface may occur.

NOTES



U841 Toilet Tissue Dispenser

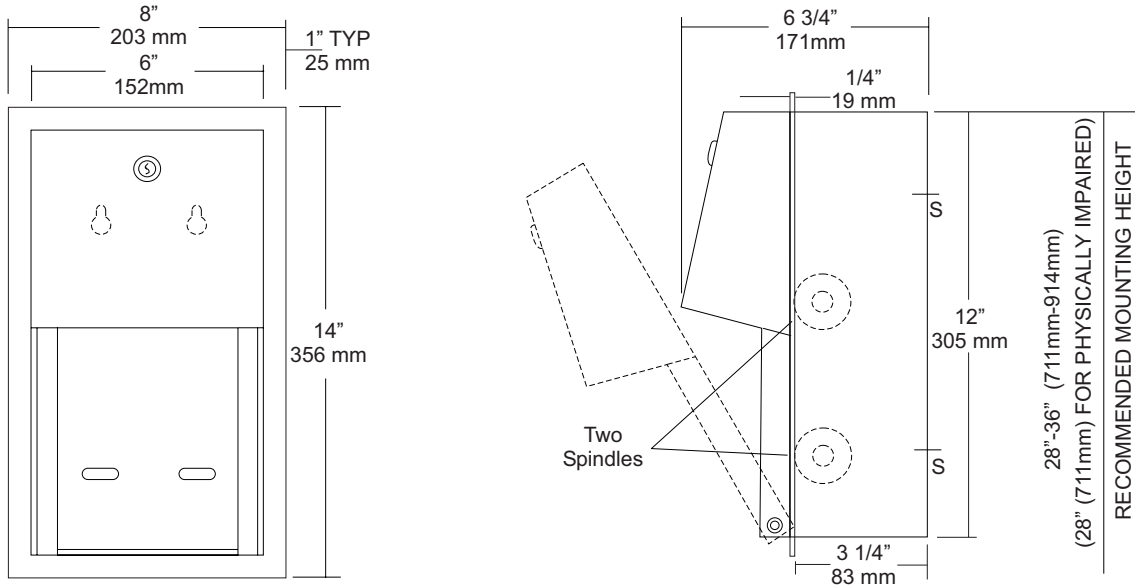
Revision 03/11

JOB #:

ITEM #:

QUANTITY:

MOUNTING	HANDING	TYPE	SIZE	OTHER
----------	---------	------	------	-------



SPECIFICATIONS

- Body:** Fabricated of #22 ga stainless steel with #4 satin finish. Concealed inner dispensing mechanism is #18 ga stainless steel.
- Back:** Fabricated of #18 ga stainless steel with multiple welds to cabinet body forming a one piece construction.
- Hood:** Fabricated of #18 ga stainless steel finished to match cabinet body. Hood is secured with stainless steel hinge rivets to cabinet body. Top roll of tissue will not drop down unless the bottom roll has been depleted. When unit is closed, this will provide a theft resistant, non-control operation and reduce vandalism.
- Flange:** One piece construction without miters or welds fabricated of #22 ga stainless steel, with #4 satin finish to match cabinet.
- Locks:** Pin tumbler, commercial quality locks keyed like all other AJW cabinets.
- Spindles:** (U005) Fabricated of one-piece molded high impact black ABS material.
- Overall Size:** 8"W x 14"H x 6 3/4"D
203mm x 356mm x 171mm
- Wall Opening:** 6 3/8"W x 12 3/8"H x 3 5/8"D
162mm x 314mm x 93mm
- Capacity:** Two standard rolls with a 5 1/4" (133mm) OD.

INSTALLATION

Coordinate installation with architect or contractor to avoid pipes, vents, etc. Provide a rough wall opening in mounting surface at desired or specified location. Open cabinet, remove spindles and insert into opening. Secure unit with proper fasteners per each application. Load toilet tissue on rollers, place in concealed track and close hood. Raise lower roll against upper and take hand away. Lower roll should fall into place with upper roll remaining up above the hood line. If loaded properly, top roll will not fall for use until bottom roll has been depleted. When servicing dispenser, full rolls must be used on both spindles to insure proper operation.

To meet ADA code, dispensers cannot have any type of control delivery. (4.16)

NOTES

Formerly Model #: U841A



U8504

Uni-Door Seat Cover Dispenser

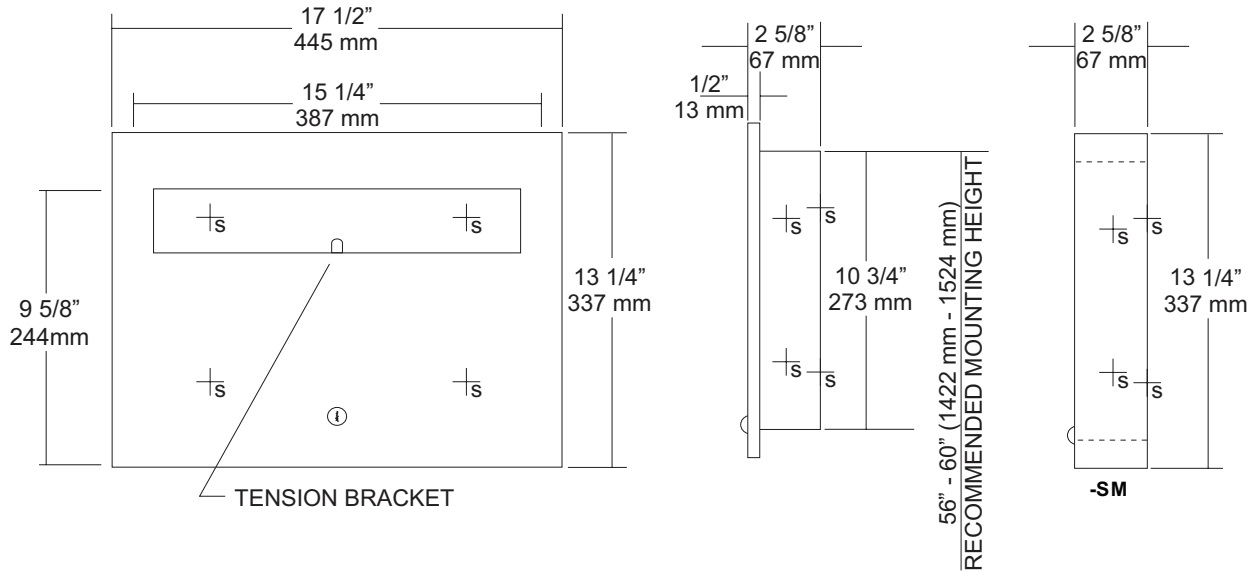
Revision 05/11

JOB #:

ITEM #:

QUANTITY:

MOUNTING	HANDING	TYPE	SIZE	OTHER



SPECIFICATIONS

Body: Fabricated of #22 gauge stainless steel with a #4 satin finish on all exposed surfaces.

Flange: #22 gauge stainless steel with 1/4" returns to wall without any miters.

Uni-Door: #18 ga stainless steel door. Seat cover dispensing area (on both units) are deburred and polished smooth to avoid paper tearing and injury.

Hinge: Full length, stainless steel piano type hinge.

Lock: Pin tumbler commercial quality, keyed like all other AJW cabinets.

Overall Size: 17 1/2"W x 13 1/4"H x 2 5/8"D
445mm x 337mm x 68mm

Wall Opening: 15 3/4"W x 11 1/4"H x 2 5/8"D
400mm x 286mm x 60mm

U8504-SM: Surface mounted unit

Capacity: 500 seat covers

INSTALLATION

Provide required wall opening at desired or specified location with coordination with architect or contractor to avoid interference with pipes, vets, etc. Unlock cabinet and place unit in opening. Secure to rough framing with proper fasteners per each application. Fill dispenser with product and secure cabinet door.

NOTES



UX110-BF

Single Robe Hook

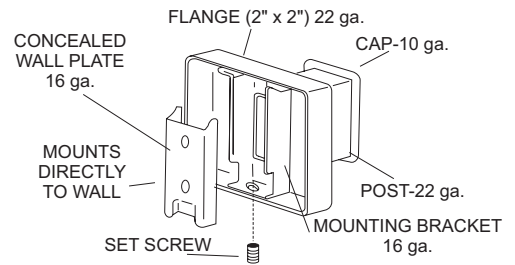
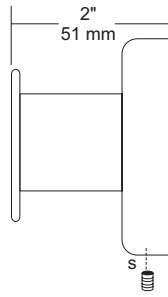
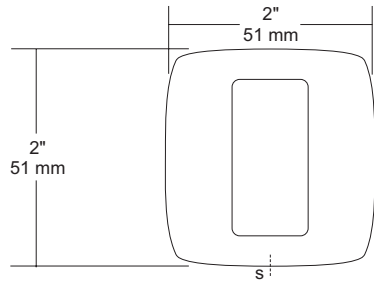
Revision 03/11

JOB #:

ITEM #:

QUANTITY:

MOUNTING	HANDING	TYPE	SIZE	OTHER



SPECIFICATIONS

UX Accessories: All UX bath accessories series are fabricated of stainless steel with a bright or satin finish. Mounting plates are concealed with a snap-on type plate secured by a set screw.

Hook: #10 ga stainless steel hook.

Flange: 2" x 2" flange #22 ga stainless steel.

Post: #22 ga stainless steel.

Mounting Plate: #16 ga concealed wall plate. Set screw secures mounting plate and flange.

Overall Size: 2"W x 2"H x 1 5/8"D

51mm x 51mm x 41mm

UX110-SF: Same as UX110-BF with satin finish

INSTALLATION

Provide an area on wall surface at desired or specified location. Place concealed mounting plate on wall surface and transfer mounting points. Drill pilot holes and secure with proper fasteners. Place snap on flange over plate and secure with set screw.

NOTES