

date
projectname
attn
from
fax
email
phone

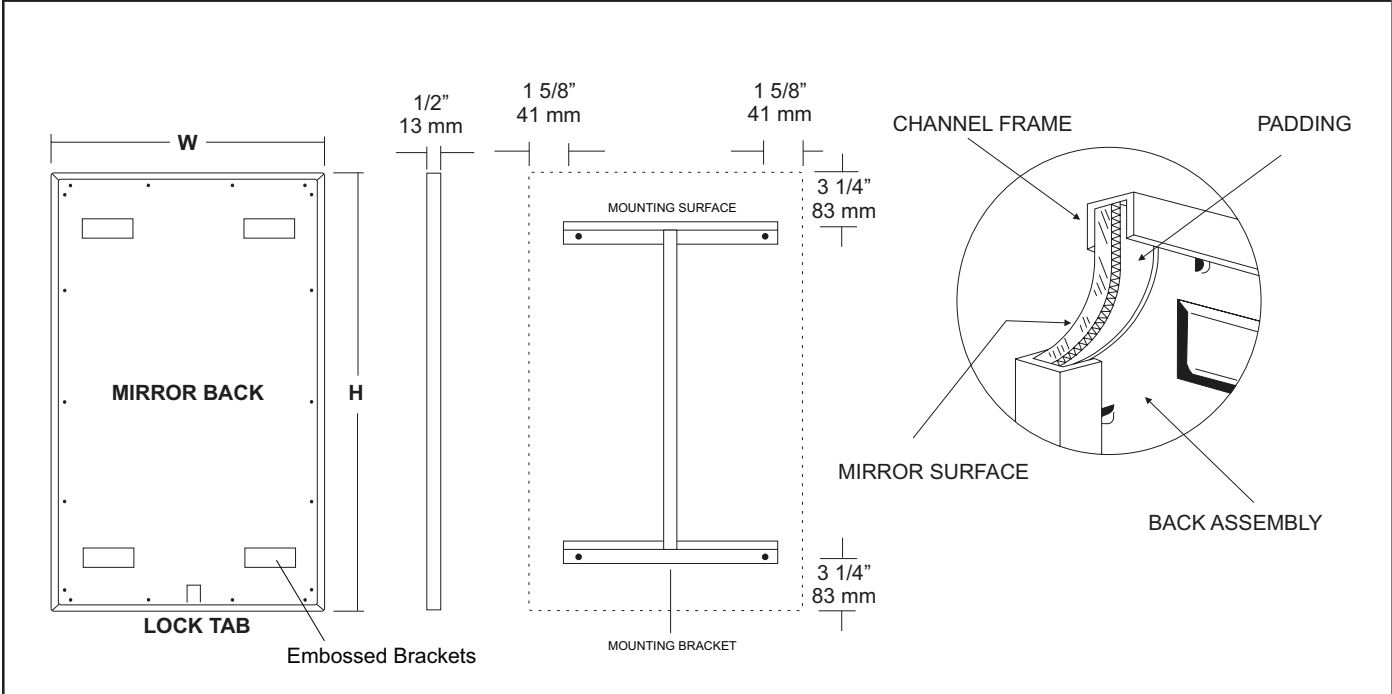
3-8-18
Capital Plaza 500 Bldg.
k
k

JOB #:

ITEM #:

QUANTITY:

MOUNTING	HANDING	TYPE	SIZE	OTHER



SPECIFICATIONS

Frame: Fabricated of #20 ga stainless steel, #4 satin finish. Roll formed 1/2" x 1/2" x 1/2" channel frame has mitered corners and secured with stainless steel rivet.

Mirror: 1/4" thick type 1 transparent flat type, class 1 - clear glass mirrors. Mirror is coated with silver and sealed with a uniform electrolytic copper plating, along with two coats of paint for added protection. Mirrors are guaranteed against silver spoilage for a period of 15 years. Mirrors conform to ASTM C1036 and ASTM C1503-R8.

Filler: Full size, 1/8" shock absorbing, water resistant, nonabrasive, polyethylene padding protects all concealed mirror surfaces.

Back: #20 ga pre-plated galvanized steel, with embossed horizontal louver mounting brackets. Embossed theft resistant pressure activated clip lock device, locks mirror in place to wall hangers.

Hangers: Fabricated of #20 ga pre-plated steel galvanized steel with mounting points.

Standard Sizes Available (W x H): 16"x20", 16"x24", 16"x30", 18"x24", 18"x30", 18"x36", 24"x30", 24"x36", 24"x42", 24"x48", 18"x60", 20"x60", 24"x60", 18"x72", 24"x72"

Options:

- LG:** Laminated Glass
- LX:** Polycarbonate
- PM:** Plastic Acrylic
- T:** Tempered Glass
- VC:** Vinyl Clad (Safety Glass)
- 8B:** #8 Reflective Stainless Steel

*Stainless steel mirrors reflect images in different optic quality than plate glass. There will be a slight distortion which increases proportionately with the mirror size. Therefore, AJW Architectural Products™ cannot be held responsible for quality of image.

- **Mirrors are always ordered Width x Height
- ***Recommended max size for 8B mirrors: 72" x 47-1/2"
- ****Framed mirrors are fabricated to a tolerance of (+/-) 1/8"
- ***** Mirrors conform to Federal Specifications DD-M-00411b & DD-g-541D

INSTALLATION

Coordinate installation with architect / contractor for specific mounting location and height for each mirror application. Making sure "I" bracket is level, transfer all mounting point locations to wall surface from drawing. Secure brackets with proper fasteners for each application. Slide mirror down over horizontal brackets until clip lock secures mirror in place. Mirror can only be removed by inserting tool through hole at bottom of frame depressing clip. This will allow mirror to slide up over brackets. Fillers are available if mirrors are mounted above and below tile line. (U004 Filler) filler material will match mirror frame to form a one piece construction.

To meet ADA Code, bottom edge of reflective surface can be no higher than 40" above finished floor. (4.19.6) Full length mirrors may be used for universal application when installed in correct locations.

Abrasive cleaners & chloric solutions should not be used on mirrors. Discoloring and /or scratching of frame and reflective surface may occur.

NOTES



UB14

Chrome Coat Hook & Bumper

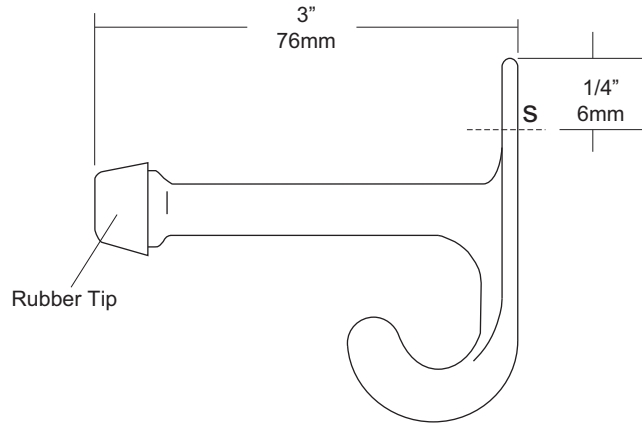
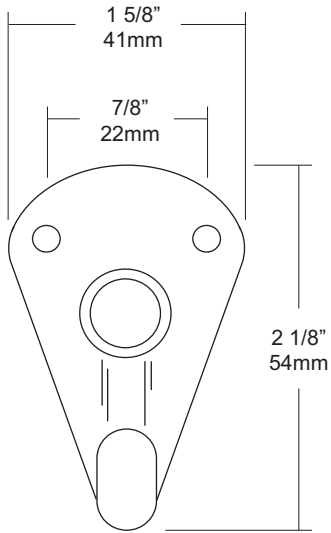
Revision 11/14

JOB #:

ITEM #:

QUANTITY:

MOUNTING	HANDING	TYPE	SIZE	OTHER



SPECIFICATIONS

UB Accessories: Fabricated of chrome plated, solid forged brass with a nickel and copper plating. In compliance with all standard commercial and government standards. Hard rubber bumper prevents damage to interior walls as well as door ways.

Overall Size: 1 5/8"W x 2 1/8"H x 3"D

41mm x 54mm x 76mm

INSTALLATION

Place hook on mounting surface and transfer mounting point locations. Drill pilot holes and secure with proper fasteners per application.

NOTES



UG2-A

Grab Bars

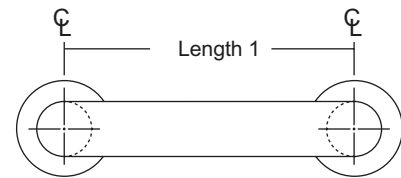
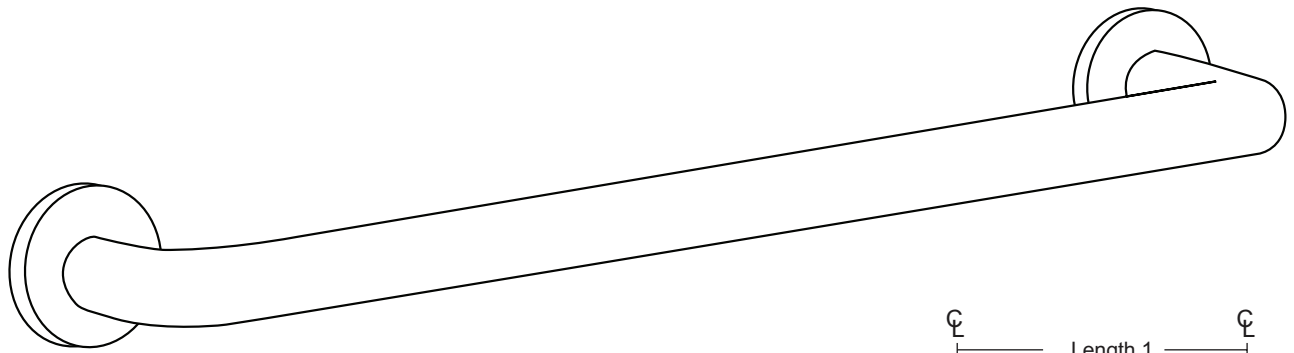
Revised 03/11

JOB #:

ITEM #:

QUANTITY:

MOUNTING	HANDING	TYPE	SIZE	OTHER



SPECIFICATIONS & INSTALLATION

Tubing: Fabricated of #18 ga stainless steel with a #4 satin finish. Available in 1 1/4" outside diameter. All bends are formed by an automatic mandrel bending process. All bars maintain a constant 1 1/2" offset.

Finish: Standard finish is a #4 satin finish. For a non-slip finish (peened) add suffix X to model number. (Ex. UG2X-A)

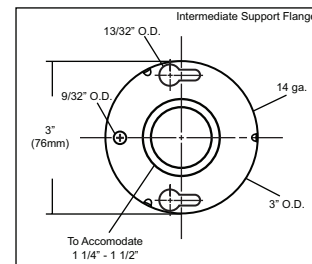
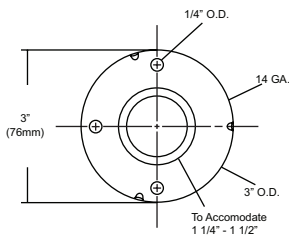
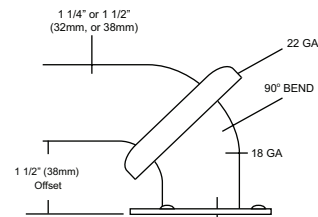
Flanges: Snap flanges are fabricated of 3" diameter, 3/8" deep drawn #22 ga stainless steel with #4 satin finish to match tubing. Flanges have dimples that secure over mounting plate.

Strength: Bars with a 1 1/2" offset clearance will support loads in excess of 900lbs when properly installed. Bars with greater offsets will support loads up to 250lbs when properly installed.

Installation: Before installing grab bars, verify with all state and local codes for requirements on bar diameter and type finish. Recommended mounting heights for grab bars are 33" - 36" centerline above finished floor. All mounting of grab bars when possible should have in wall mounting back plates. Find centerline mounting points and place bar on line making sure to be on center. Transfer mounting points (3 per flange) to wall. Drill pilot holes and secure bar with proper anchors per application. Snap cover over mounting plate.

Standard Lengths (Other sizes available upon request): 12", 16", 18", 24", 30", 32", 36", 42", 48", 50", 52", 54", 56"

FLANGE INFORMATION



NOTES



UJ41 Series

Mop Holder & Hook Strip Combination Unit

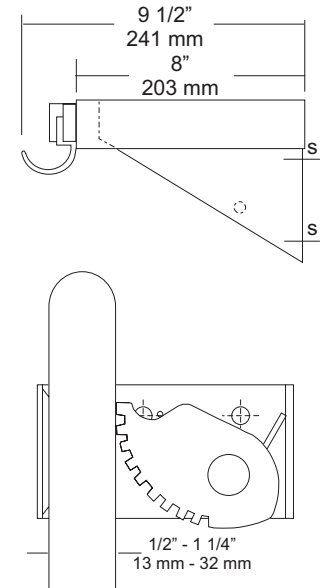
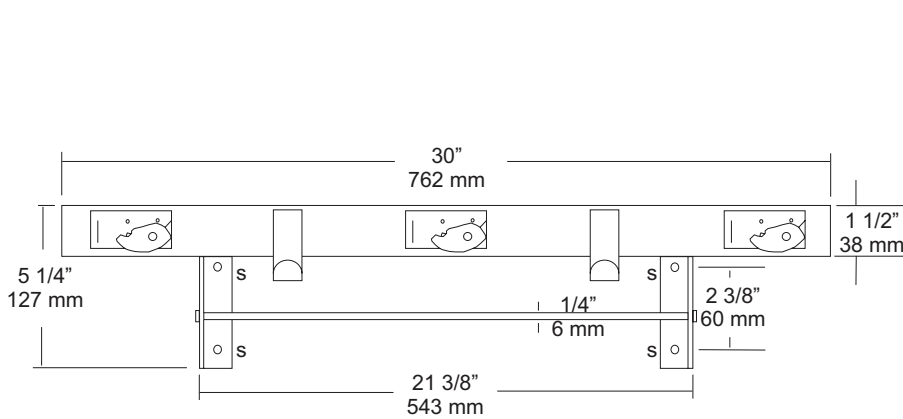
Revision 03/11

JOB #:

ITEM #:

QUANTITY:

MOUNTING	HANDING	TYPE	SIZE	OTHER



SPECIFICATIONS

Shelf: Fabricated of #18 ga stainless steel with a #4 satin finish, 8" deep (203mm) bent down 1 1/2" with 1/2" returns back for rigidity and safety.

Mop Holders: UJ19 plated reinforced steel with serrated cam type hard rubber mop or broom holder. Holds handles 1/2" to 1 1/4" diameter.

Rag Hooks: Fabricated of #18 ga stainless steel with a #4 satin finish.

Mounting Brackets: #16 ga stainless steel with exposed mounting points.

Drying Rod: 1/4" diameter stainless steel rod, secured to outside of support/mounting brackets with locking caps.

Verify Style:

UJ41A: 30"L (762mm) with 3 holders, 2 hooks.
Rod Length: 21 3/8" (565mm)

UJ41B: 36"L (914mm) with 4 holders, 3 hooks.
Rod Length: 27 3/8" (692mm)

UJ41C: 42"L (1066mm) with 5 holders, 4 hooks.
Rod Length: 33 3/8" (845mm)

UJ41D: 48"L (1219mm) with 6 holders, 5 hooks.
Rod Length: 39 3/8" (997mm)

INSTALLATION

Place unit to wall surface making sure unit is level and transfer mounting points. Drill pilot holes and secure unit with proper fasteners per application.

NOTES



UX76-BF

Toilet Tissue Dispenser

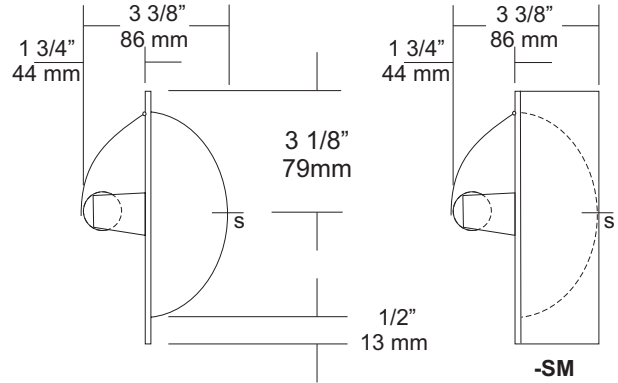
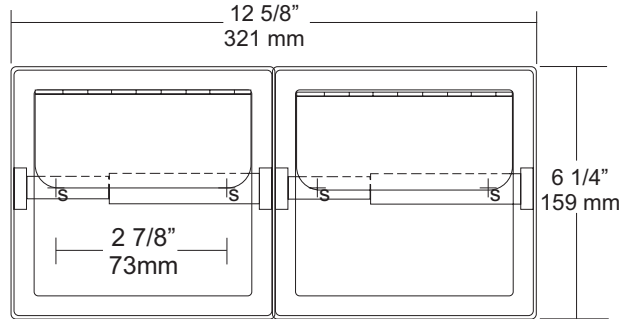
Revision 10/14

JOB #:

ITEM #:

QUANTITY:

MOUNTING	HANDING	TYPE	SIZE	OTHER



SPECIFICATIONS

Shell and Flange: Drawn one piece construction fabricated of #22 ga stainless steel with a bright finish. Two mounting points allow unit to be secured to mounting clamps or framing in wall opening.

Hood: Fabricated of bright stainless steel, secured to shell by a welded hinge.

Support Posts: Heavy duty cast Zamac with bright chrome finish to match shell.

Spindle: Spring loaded, chrome plated plastic roller.

Collars: #22 ga stainless steel finished to match unit.

Overall Size: 12 5/8"W x 6 1/4"H x 3 3/8"D
321mm x 159mm x 86mm

Wall Opening: 11 3/4"W x 5 1/4"H x 2"D
298mm x 133mm x 51mm

UX76-BF-SM: Surface Mounted Dual Roll Dispenser with hood.

UX76-SF: Same as UX76-BF with satin finish.

UX76-SF-SM: Same as UX76-BF-SM with satin finish.

Optional U007 Theft Resistant Adapter: Prevents spindle from being removed until roll has been depleted.

INSTALLATION

Provide a wall opening at desired or specified area and coordinate with architect or contractor to avoid interference with pipes, vents etc. In wall. See specification for proper wall openings. Secure unit in wall opening with proper fasteners and clamps per application. Insert roller into roll core depress one side and install on posts.

Toilet Paper Dispensers: All dispensers that are to meet ADA code cannot have any type of controlled delivery. (4.16)

Mounting Clamps:
 B-1 Clamp: Same as B-Clamp for UX76.

Note: Mounting Clamps are optional and must be ordered separately.

NOTES