

date
projectname
attn
from
fax
email
phone

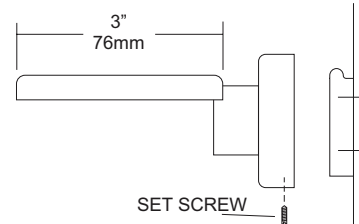
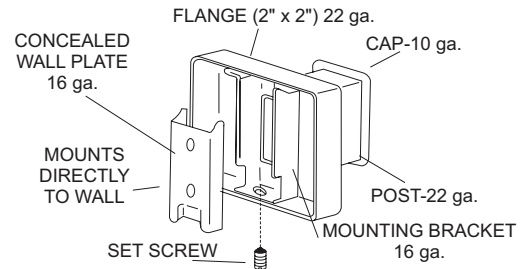
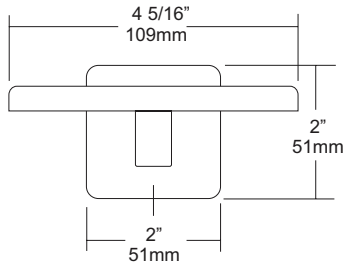
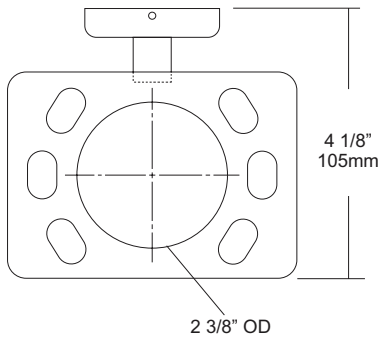
12/28/16
Gloucester City Housing
Gassis Construction
Associated Building Specialties
856-227-9307
e-gassis@gassisglobal.com
856-227-3900

JOB #:

ITEM #:

QUANTITY:

Mounting	Handing	Type	Size	Other



SPECIFICATIONS

UX Accessories: All UX bath accessories series are fabricated of stainless steel with a bright or satin finish. Mounting plates are concealed with a snap-on type plate secured by a set screw.

Flange: 2" x 2" flange #22 ga stainless steel.

Post: #22 ga stainless steel.

Mounting Plate: #16 ga concealed wall plate. Set screw secures mounting plate and flange.

Tumbler Holder: #22 ga stainless steel.

Overall Size: 4 5/16"W x 2"H x 4 1/8"D

110mm x 51mm x 105mm

UX120-SF: Same as UX120-BF with satin finish.

INSTALLATION

Provide an area on wall surface at desired or specified location. Place concealed mounting plate on wall surface and transfer mounting points. Drill pilot holes and secure with proper fasteners. Place snap on flange over plate and secure with set screw.

NOTES



UX121-BF
Soap Dish

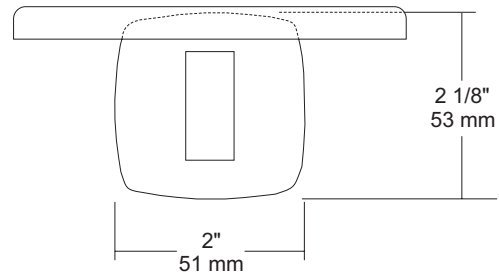
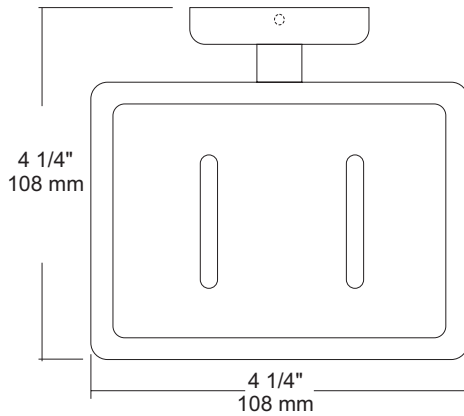
Revision 10/11

JOB #:

ITEM #:

QUANTITY:

MOUNTING	HANDING	TYPE	SIZE	OTHER



SPECIFICATIONS

UX Accessories: All UX bath accessories series are fabricated of stainless steel with a bright or satin finish. Mounting plates are concealed with a snap-on type plate secured by a set screw.

Flange: 2" x 2" flange #22 ga stainless steel.

Post: #22 ga stainless steel.

Mounting Plate: #16 ga concealed wall plate. Set screw secures mounting plate and flange.

Soap Dish: #22 ga stainless steel without drain holes

Overall Size: 4 1/4"W x 2 1/8"H x 4 1/4"D

108mm x 54mm x 108mm

UX121-SF: Same as UX121-BF with satin finish.

INSTALLATION

Provide an area on wall surface at desired or specified location. Place concealed mounting plate on wall surface and transfer mounting points. Drill pilot holes and secure with proper fasteners. Place snap on flange over plate and secure with set screw.

NOTES



UX148-BF

Towel Shelf

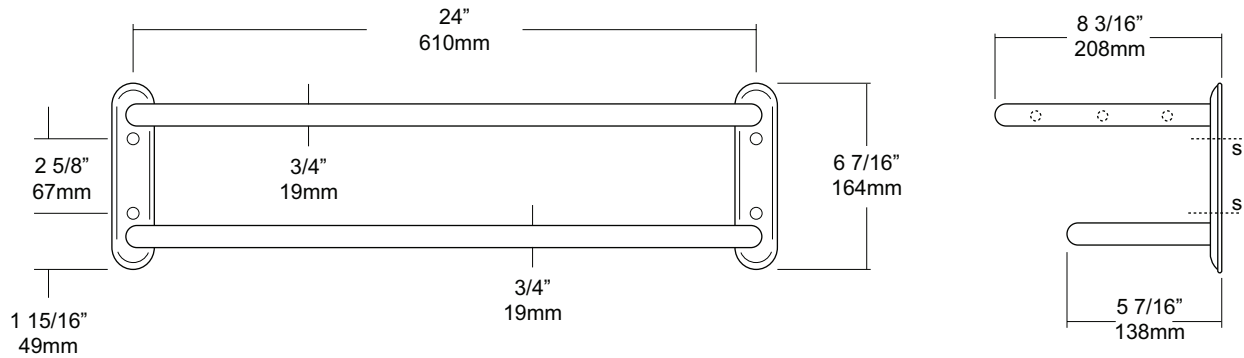
Revision 03/11

JOB #:

ITEM #:

QUANTITY:

MOUNTING	HANDING	TYPE	SIZE	OTHER



SPECIFICATIONS

Towel Shelf: Fabricated of #22 ga bright stainless steel tubing. Three cross supports have a 3/8" diameter and the two main supports have a 3/4" dia.

Mounting Flanges: #18 ga stainless steel with bright finish exposed countersunk mounting points. Main supports are secured inside brackets with concealed fasteners.

Concealed Mounting Plates: #11ga stainless steel plates that secure inside wall flanges for added rigidity to provide a concealed mount.

Overall Size: 24"W x 6 7/16"H x 8 7/16"D

610mm x 213mm x 248mm

INSTALLATION

Secure main support tubes to the concealed plate and flanges with provided theft resistant fasteners. Place unit on wall surface at desired or specified location. Make sure unit is level and transfer mounting points. Drill pilot holes and secure with proper fasteners per application.

NOTES

Formerly Model #: UX148-24