

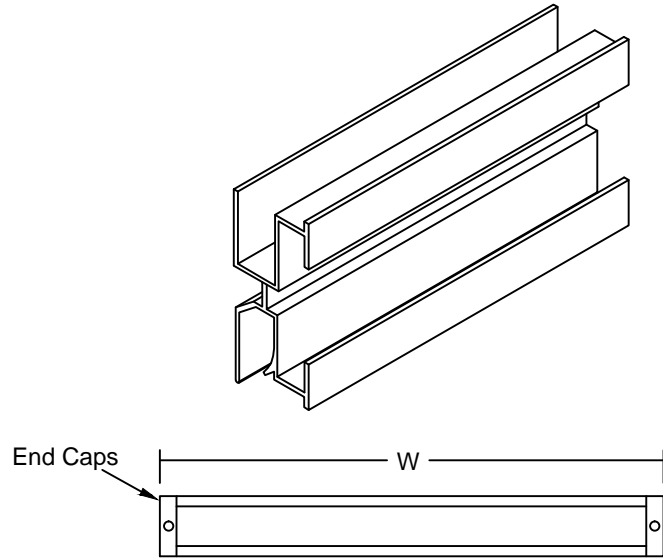
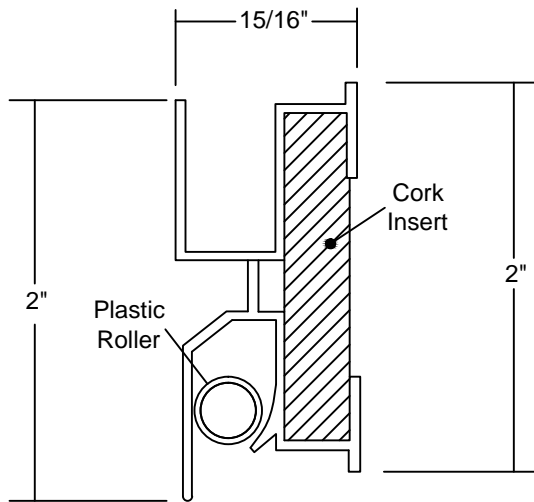


N6-6N Series
Tackable Grip Rail,
Natural Cork

Job #:

Item #:

Quantity #:



Standard Widths:
4', 6', 8', 10', 12', 14', 16'

Custom Widths available on request

Drawing is for assembly description only.
Components are not to scale for clarity purposes.

Size: 2"

Finish: Anodized Aluminum.

Tackable Maprail Insert: 1/4" Natural Cork.

Interior: Plastic Rollers.

• **All aluminum extrusions have a minimum thickness of 0.062"**