

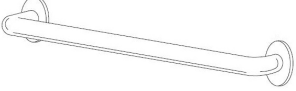
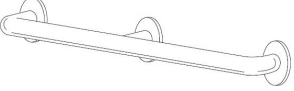
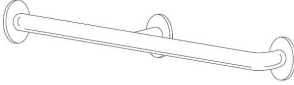
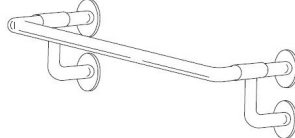
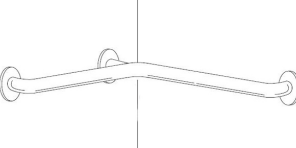
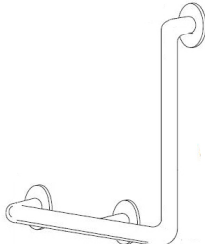
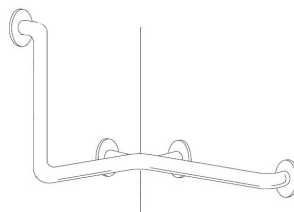
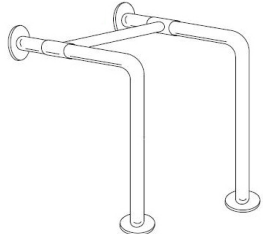
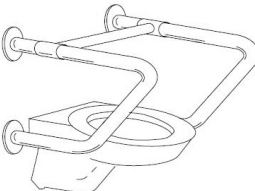
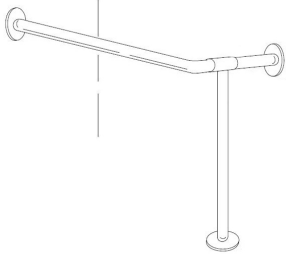
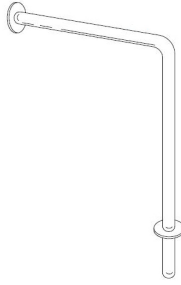
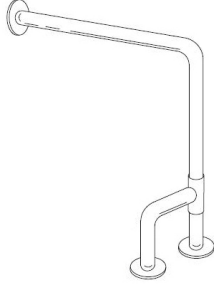
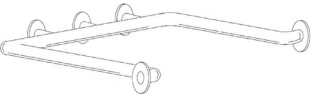
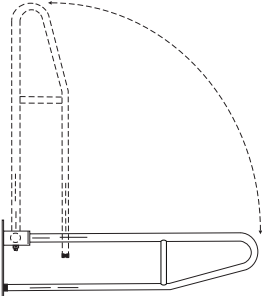
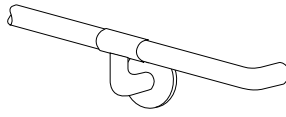
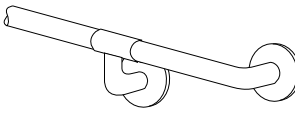
## CONFIGURATIONS

Grab Bars

Job #:

Item #:

Quantity:

			
A	B	C	F
			
G	K	L	N
			
O	Q	R	S
			
V	U	Y	Z

\*When measuring and ordering grab bars, remember bars are sized centerline to centerline.

\*Grab Bars comply with ADA Code 4.26.2

\*Non-chloric and non-abrasive cleaners should be used to clean surface of bars and flanges.

\*Custom sizes available upon request