

date  
projectname  
attn  
from  
fax  
email  
phone

03/27/2018

APR  
ZACH  
BRIANA

ZAUNGST@APRSUPPLY.COM



# U944

## Baby Changing Station

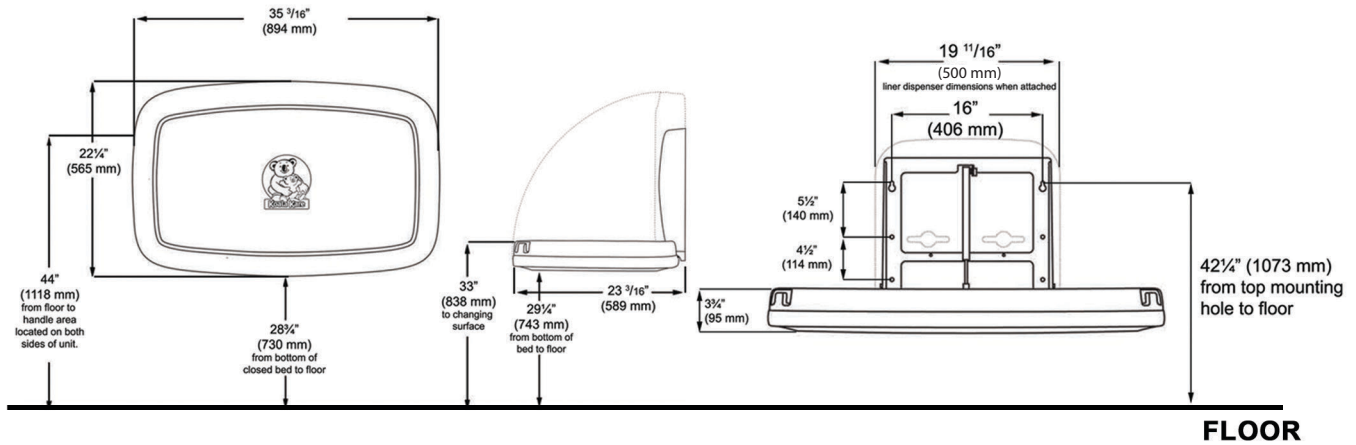
Revision 11/14

JOB #:

ITEM #:

QUANTITY:

| MOUNTING | HANDING | TYPE | SIZE | OTHER |
|----------|---------|------|------|-------|
|          |         |      |      |       |



**FLOOR**

### SPECIFICATIONS

- Body:** FDA approved injection molded polypropylene with Microban antimicrobial additive. Reinforced steel-on-steel hinge mechanism and metal mounting chassis. Labeled usage instructions and safety messages in four languages.
- Liner Dispenser:** An integral part of body that is standard with each unit. (Capacity: 50)
- Pneumatic Cylinder:** Concealed pneumatic cylinder & hinge structure provides controlled and smooth open and close motion.
- Safety Straps:** Nylon safety strap snap lock fastens to hold child securely in place.
- Overall Size:** 35 3/16"W x 22 1/4"H x 4"D (closed) 23 3/16"D (open)
- 894mm x 565mm x 102mm (closed), 589mm (open)**
- Available Colors:** Cream & Grey
- Optional Braille Label (Not included)**

### INSTALLATION

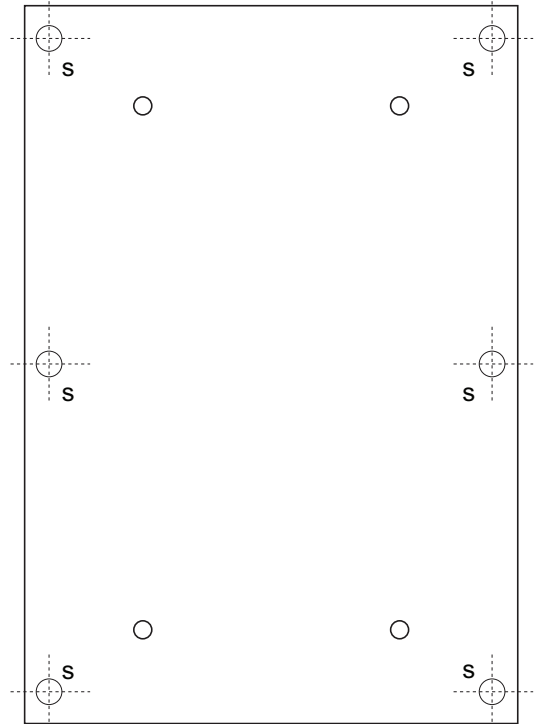
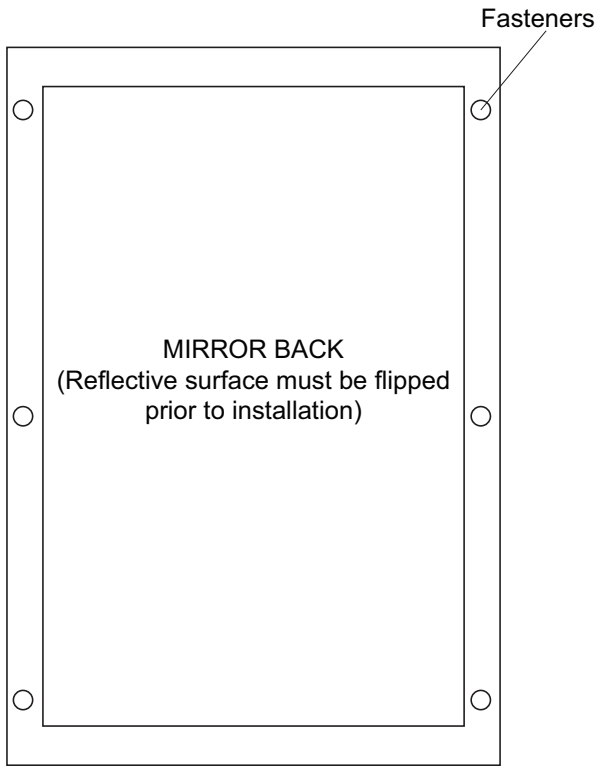
Coordinate installation with architect or contractor to avoid interference with surrounding objects. Hold unit up to wall and open to verify there are no obstructions to interfere with operation of station. From finished floor to the top of the unit closed should be at a height of 48". Transfer mounting point locations to wall surface and drill pilot holes. Secure unit with proper fasteners for each application. (Recommend a qualified carpenter to install unit) Unit can be lowered with one hand and into position with less than 5 lbs of force, wall opening turning or twisting of wrist. Verify with local codes and type approach (forward or side) for proper mounting height above finished floor. Unit can support up to 200lbs when properly installed.

Unit should be cleaned once or more daily with a clean nylon brush and spray disinfectant.

When properly installed, baby changing stations comply with ASTM static load performance requirements.

### NOTES

Formerly Model #: U945H



**INSTALLATION**

**\*\*NOTE: Reflective surface must be flipped prior to installation.**

1. Remove fasteners from frame
2. Flip over reflective surface and remove vinyl cover
3. Secure reflective surface to frame
4. Install using appropriate method

-----  
 Coordinate mirror installation with architect and contractor to avoid pipes, vents, wires, etc. in wall. Transfer mounting points to wall surface. Transfer mounting point location to wall surface and drill pilot holes. Secure mirror with proper fasteners per application. Fasteners are not supplied by manufacturer.

To meet ADA Code, bottom edge of reflective surface can be no higher than 40" above finished floor. (4.19.6) Full length mirrors may be used for universal application when installed in correct locations.

**CARE & CLEANING**

Wipe mirrors with a soft cloth, taking special care to rub stainless steel frames with the grain to avoid scratching. Do not use abrasive cleaners containing chloric solutions on stainless steel frames. Glass Plus or other window cleaning products are ideal.



# US740

Security Frameless Mirror

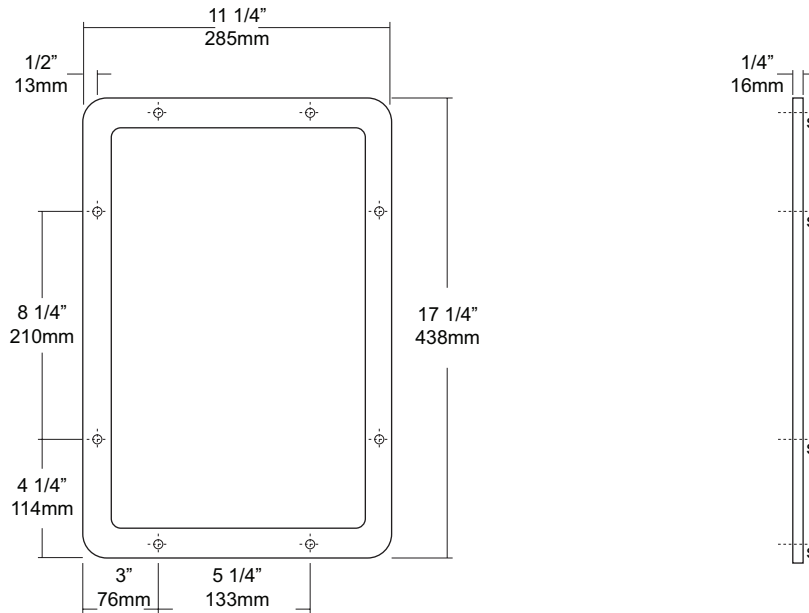
Revision 03/11

JOB #:

ITEM #:

QUANTITY:

| MOUNTING | HANDING | TYPE | SIZE | OTHER |
|----------|---------|------|------|-------|
|          |         |      |      |       |



## SPECIFICATIONS      INSTALLATION

**Security Mirror:** Fabricated of #18 ga stainless steel polished to a #8B finish. All exposed mounting points locations are countersunk. One piece design provides a rigid security mirror that has the appearance of a framed mirror.

**Overall Size:** 11 1/4"W x 17 1/4"H x 1/4"D  
**286mm x 438mm x 6mm**

Place mirror on wall surface at desired or specified location. Making sure unit is level, transfer all mounting points to mounting surface. Drill pilot holes. Remove all white vinyl protective coating and secure with proper fasteners per application.

## NOTES

Formerly Model #: US7408B