

date  
projectname  
attn  
from  
fax  
email  
phone

05-15-19  
Danforth Hall  
Lisa  
Lisa



# UX125-BF

Soap Dish & Wash Cloth Bar

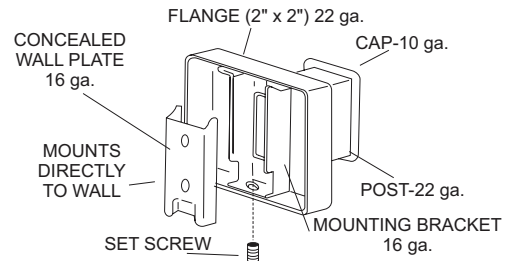
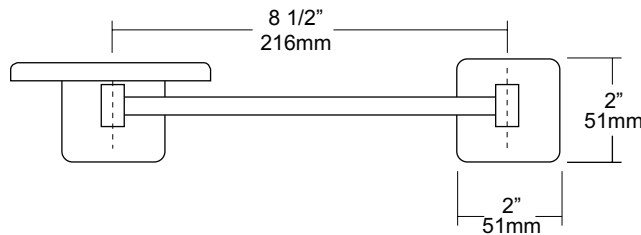
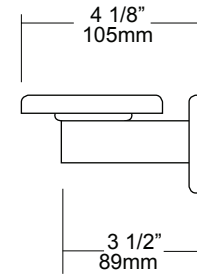
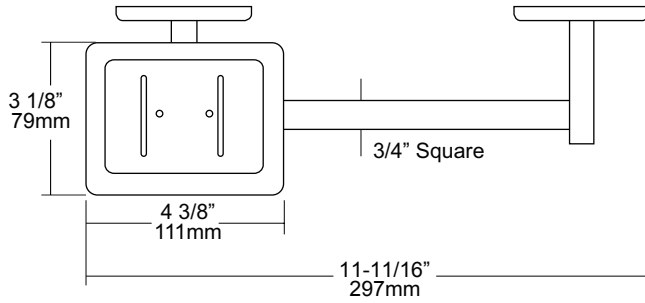
Revision 10/15

JOB #:

ITEM #:

QUANTITY:

MOUNTING	HANDING	TYPE	SIZE	OTHER



### SPECIFICATIONS

**UX Accessories:** All UX bath accessories series are fabricated of stainless steel with a bright or satin finish. Mounting plates are concealed with a snap-on type plate secured by a set screw.

**Flange:** 2" x 2" flange #22 ga stainless steel.

**Post:** #22 ga stainless steel.

**Mounting Plate:** #16 ga concealed wall plate. Set screw secures mounting plate and flange.

**Soap Dish:** #22 ga stainless steel. **Bar:** 3/4" square bar

**Overall Size:** 11-11/16"W x 2"H x 4 1/8"D  
297mm x 51mm x 105mm

**UX125-SF:** Same as UX125-BF with satin finish.

### INSTALLATION

Provide an area on wall surface at desired or specified location. Place concealed mounting plate on wall surface and transfer mounting points. Drill pilot holes and secure with proper fasteners. Place snap on flange over plate and secure with set screw.

### NOTES