

date
projectname
attn
from
fax
email
phone

6/27/19
OCOB
Matt Lacey
Matt Lacey

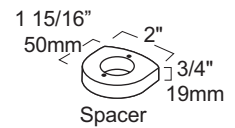
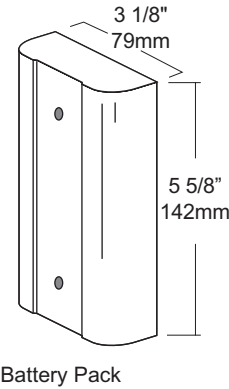
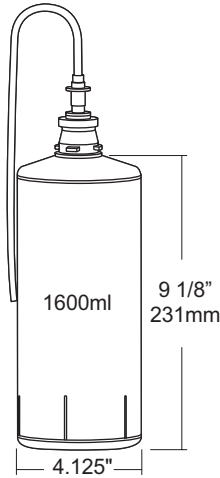
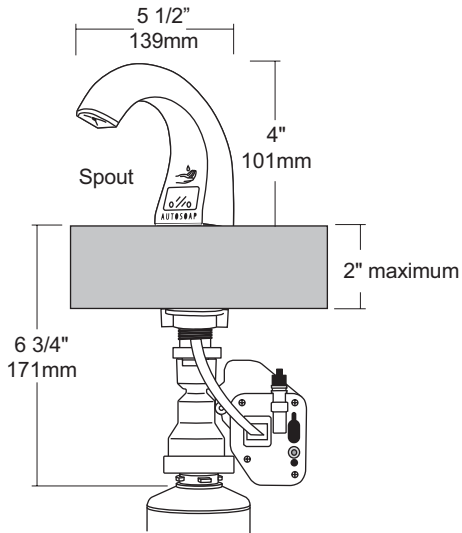
mlacey@marchassoc.com
3157333344

JOB #:

ITEM #:

QUANTITY:

MOUNTING	HANDING	TYPE	SIZE	OTHER



SPECIFICATIONS

Spout Assembly: Chrome and black plated ABS spout with automatic dispenser.

Shank Assembly: Black ABS high impact material. Requires a 1" diameter in counter top with a maximum thickness of 2". Optional spacer included if sink rim is 3/4" high or greater,

Electronics: Automatic sensor detects users hand to dispense a pre-determined amount LED light Indicator for low battery and low soap capacity. Four (4) D Alkaline batteries self contained motor assembly under counter. Average battery life 100 refills or 2 years.

Replaceable Containers: Self contained soap refills eliminate cross contamination, spills and lost service keys.

Capacity: Self contained non-refillable bottle with a capacity of aprx, 2000 hand washes per bottle, included with unit (lotion soap).

Overall Size: 5 1/2"D x 4 1/4"H (above vanity)

140mm x 108mm

INSTALLATION

If mounting on wall surface, transfer mounting hole dimensions from back of unit to wall surface. Drill pilot holes and secure unit to surface with proper fasteners. Sensor cannot be any higher than 40" above finished floor to comply with ADA code.

NOTES

Formerly Model #: U1800EA