

date  
projectname  
attn  
from  
fax  
email  
phone

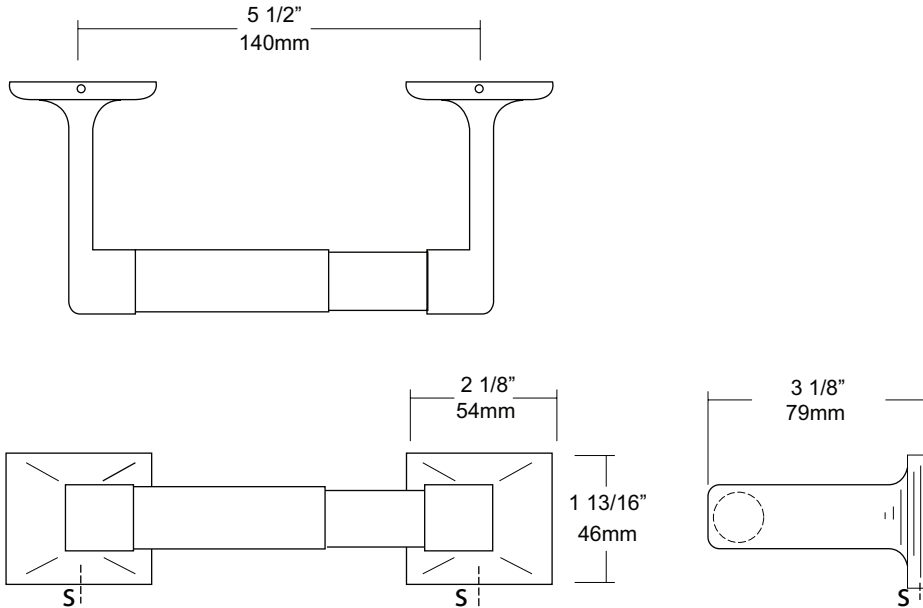
1/7/20  
Dallas  
UNKNOWN

JOB #:

ITEM #:

QUANTITY:

MOUNTING	HANDING	TYPE	SIZE	OTHER



### SPECIFICATIONS

**UC Accessories:** All accessories are fabricated of high polished chrome plating over virgin zinc die cast. All UC items comply with standard federal specifications.

**Rollers:** White ABS rollers with heavy duty internal spring. Optional chrome plated roller available on request.

**Optional U007 Theft Resistant Adapter:** Prevents spindle from being removed until roll has been depleted.

**Overall Size:** 7 5/8"W x 1 13/16"H x 3 1/8"D (without roll)

**195mm x 44mm x 79mm**

**Capacity:** One standard roll with a 5 1/4" (133mm) OD

### INSTALLATION

Place concealed mounting bracket on wall surface at desired location. Transfer mounting points and drill pilot holes. Secure plate with proper fasteners per application. Place item over plate making sure it fits snugly and secure on the underside with supplied set screw. Do this three times maintaining a 5 1/2" space centerline between posts. Make sure the post you select to be mounted as center post will accommodate two rolls and not the end post.

Toilet Paper Dispensers: All dispensers that are to meet ADA code cannot have any type of controlled delivery. (4.16)

### NOTES



# UX116-BF

Heavy Duty Coat Hook

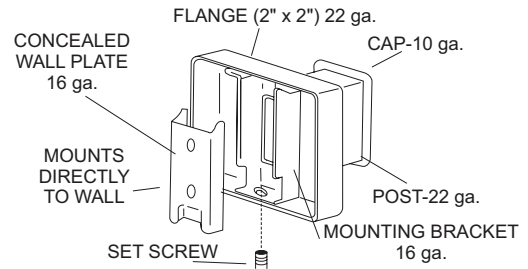
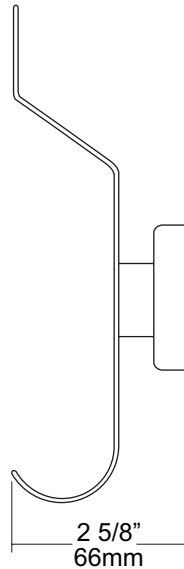
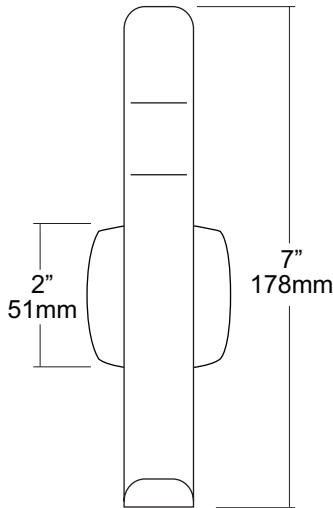
Revision 03/11

JOB #:

ITEM #:

QUANTITY:

MOUNTING	HANDING	TYPE	SIZE	OTHER



### SPECIFICATIONS

**UX Accessories:** All UX bath accessories series are fabricated of stainless steel with a bright or satin finish. Mounting plates are concealed with a snap-on type plate secured by a set screw.

**Hook:** #10 ga stainless steel hook.

**Flange:** 2" x 2" flange #22 ga stainless steel.

**Post:** #22 ga stainless steel.

**Mounting Plate:** #16 ga stainless steel concealed wall plate. Set screw secures mounting plate and flange.

**Overall Size:** 2"W x 7"H x 2 5/8"D

**51mm x 178mm x 66mm**

**UX116-SF:** Same as UX116-BF with satin finish.

### INSTALLATION

Provide an area on wall surface at desired or specified location. Place concealed mounting plate on wall surface and transfer mounting points. Drill pilot holes and secure with proper fasteners. Place snap on flange over plate and secure with set screw.

### NOTES