

date
projectname
attn
from
fax
email
phone

2/9/21
st peters
mike norris
mike norris

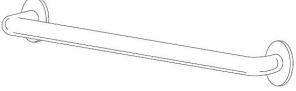
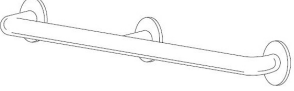
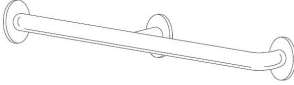
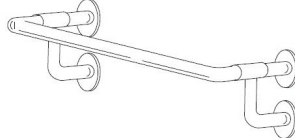
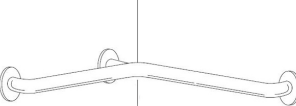
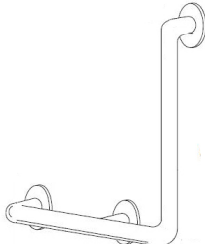
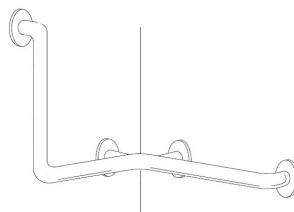
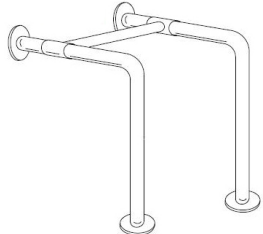
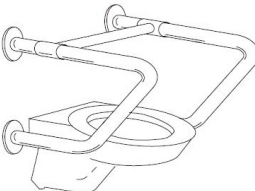
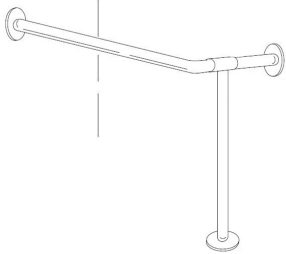
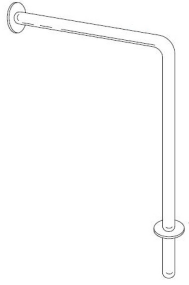
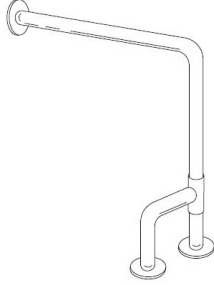
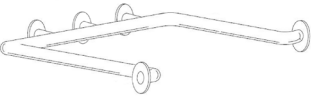
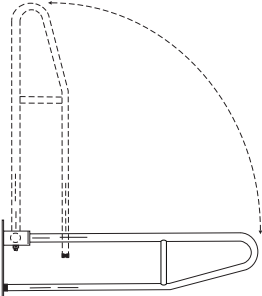
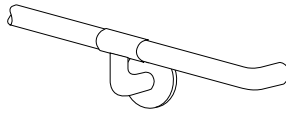
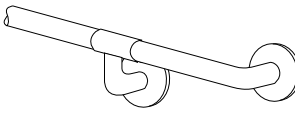
mnorris@kamconewengland.com
518-729-1122

CONFIGURATIONS
 Grab Bars

Job #:

Item #:

Quantity:

 A	 B	 C	 F
 G	 K	 L	 N
 O	 Q	 R	 S
 V	 U	 Y	 Z

*When measuring and ordering grab bars, remember bars are sized centerline to centerline.

*Grab Bars comply with ADA Code 4.26.2

*Non-chloric and non-abrasive cleaners should be used to clean surface of bars and flanges.

*Custom sizes available upon request