



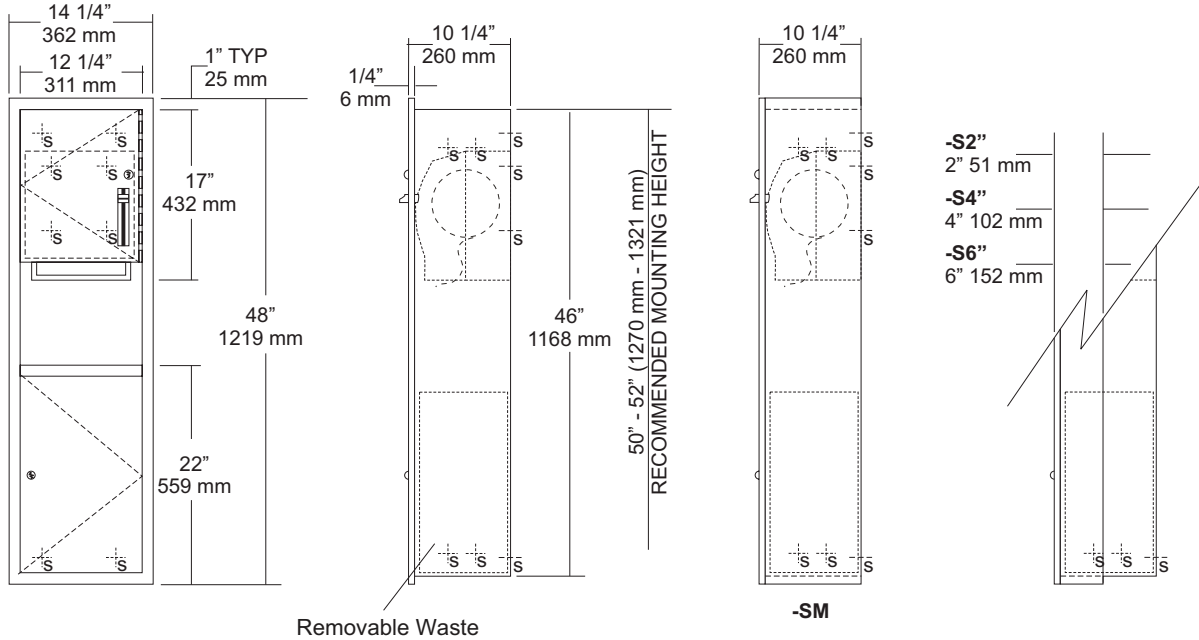
# U646AW

## Roll Towel & Waste Combination Unit

Revision 10/14

JOB #:
ITEM #:
QUANTITY:

MOUNTING	HANDING	TYPE	SIZE	OTHER



### SPECIFICATIONS

- Body:** Fabricated of #22 ga stainless steel with a #4 satin finish.
- Flange:** Fabricated of #22 ga stainless steel finished to match cabinet with 1/4" returns, (No miters or welds)
- Cabinet Back:** Fabricated of stainless steel formed for rigidity with multiple welds to cabinet body.
- Cabinet Doors:** Fabricated of #22 ga stainless steel with #4 satin finish, with full length door stop to reduce vandalism
- Towel Dispenser:** Roll towel mechanism is fabricated of #20 ga steel formed for rigidity, Unit will accommodate one 8" or 9" wide roll with a max OD of 7 7/8", Towel length dispensed has three adjustable settings, Lever is activated with one hand and less than 5 lbs of force.
- Waste:** Fabricated of #22 ga stainless steel with all leading edges hemmed. Unit is equipped with wire handle for easy handling.
- Hinge:** Full length, stainless steel piano type hinge.
- Locks:** Pin tumbler commercial quality lock,
- Collars:** Fabricated of #22 ga stainless steel, finished to match cabinet.
- Overall Size:** 14 1/4"W x 48"H x 10 1/4"D  
362mm x 1219mm 260mm
- Wall Opening:** 12 3/4"W x 46 1/2"H x 10"D  
324mm x 1181mm x 254mm
- Waste Capacity:** 8.5 gallons (1.16 cu ft)
- Towel Capacity:** One standard size roll of 8" or 9" wide. (Use only non-perforated towels). One stub roll up to 2 3/4" OD
- \*Recommended 600ft roll for best results.**
- Options:**
- VL1:** Reusable vinyl liner

### INSTALLATION

Coordinate installation with architect and contractor to avoid interference with pipes, vents, etc. Provide a rough wall opening 12 3/4"W x 46 1/2"H, Required wall depth, will depend if full or semi recessing is required, If collar is required, slide collar over the back before installing into wall, Remove waste from cabinet and mount unit plumb and true in opening with proper fasteners per application. Secure waste in cabinet and load paper towels, Controls and or mechanisms should operate with one hand and force required to activate controls shall be no greater than 5 lbs, (4.27.4)

U646AW-S2: 2" Semi-Rec, collar, 8" wall opening, 203 mm  
 U646AW-S4: 4" Semi-Rec, collar, 6" wall opening, 152 mm  
 U646AW-S6: 6" Semi-Rec, collar, 4" wall opening, 102 mm  
 U646AW-SM: Full surface mounted collar

When cleaning cabinet, use a soft cloth, a non-abrasive or chloric solutions.

### NOTES

Formerly Model #: U646/199AW