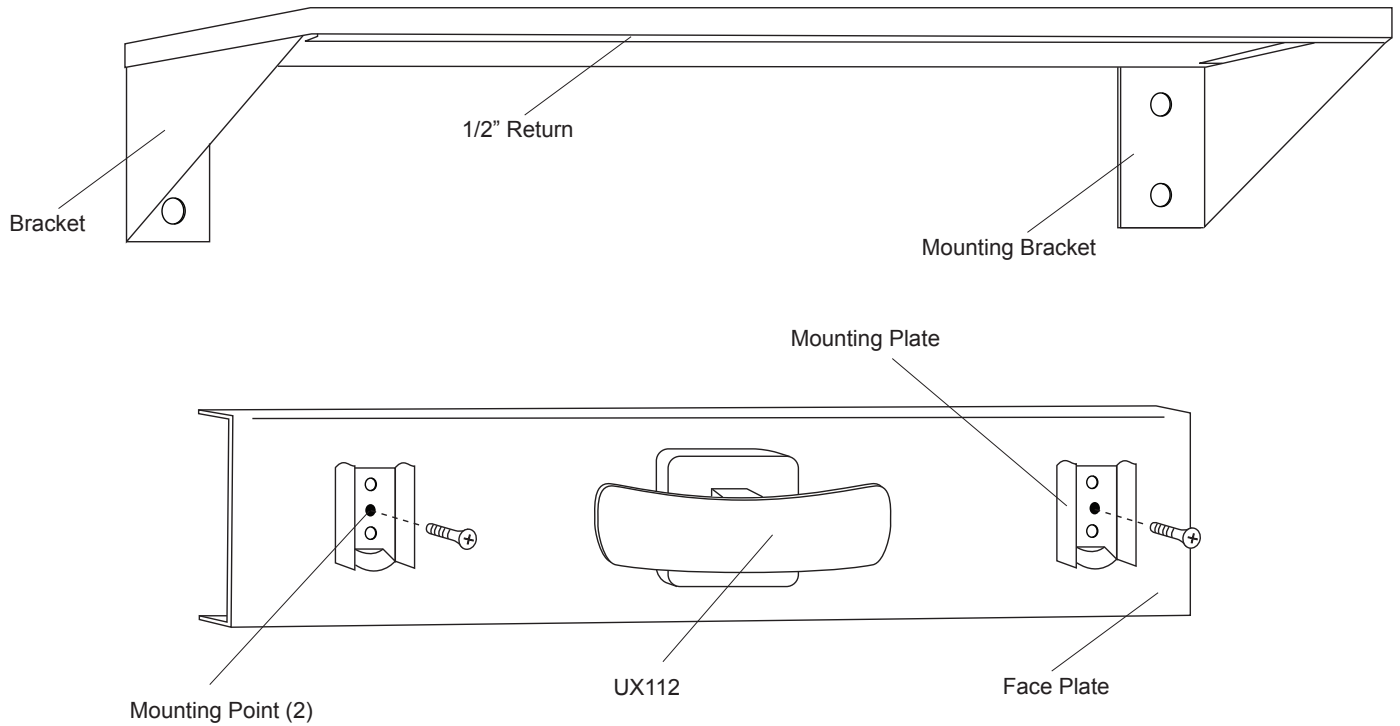


UJ31 Mounting Instructions



INSTRUCTIONS

1. Place shelf on wall, making sure unit is level, and transfer mounting points.
2. Drill pilot holes.
3. Secure shelf with proper fasteners. (not supplied)
4. Remove end hooks from strip, leaving mounting plate.
5. Place unit in between end brackets making sure strip is flush under shelf.
6. Transfer mounting points and drill pilot holes.
7. Secure strip with proper fasteners. (not supplied)
8. Reinstall hooks onto mounting brackets.