

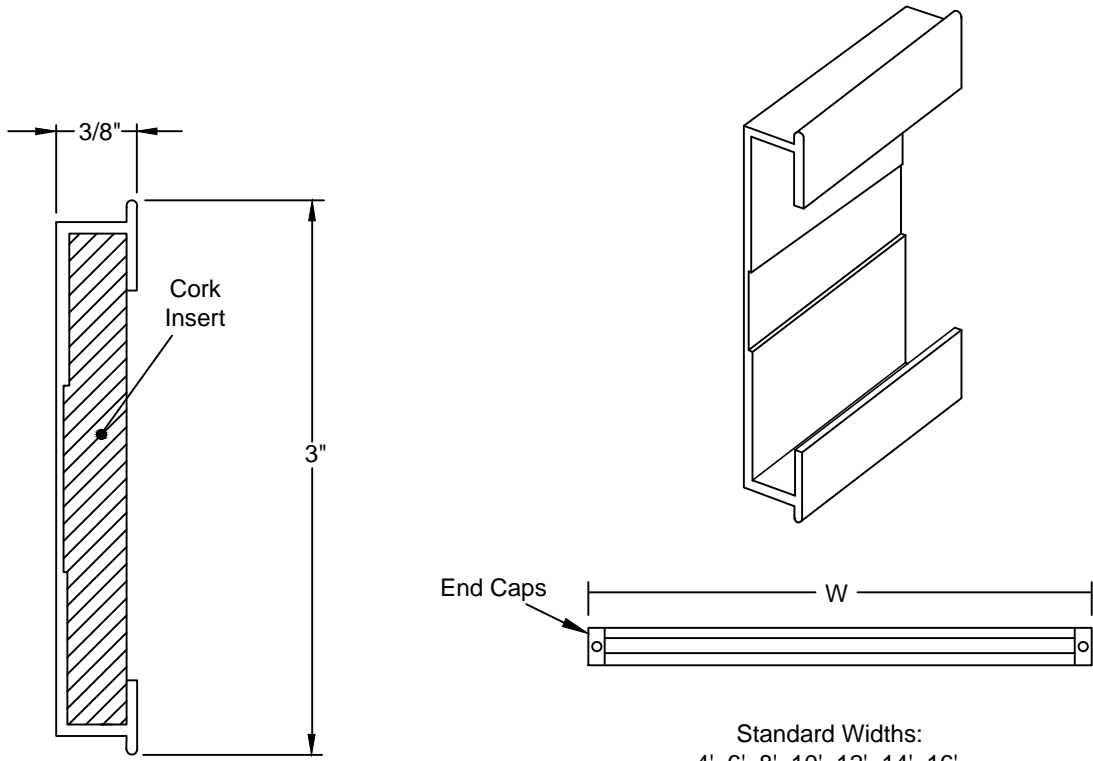


**N6-3N Series**  
Display Rail, 3" Tackstrip,  
Natural Cork

Job #:

Item #:

Quantity #:



Standard Widths:  
4', 6', 8', 10', 12', 14', 16'  
Custom Widths available on request

Drawing is for assembly description only.  
Components are not to scale for clarity purposes.

**Size:** 3"  
**Finish:** Anodized Aluminum.  
**Tackable Maprail Insert:** 1/4" Natural Cork.

• All aluminum extrusions have a minimum thickness of 0.062"

This information is subject to change without formal notice. If you need additional help, AJW has a technical support staff that is ready to assist you by phone: (845) 562-3332, fax: (845) 562-3391, email: engineering@ajw.com or visit our website: www.ajw.com Copyright © 2013 AJW Architectural Products