



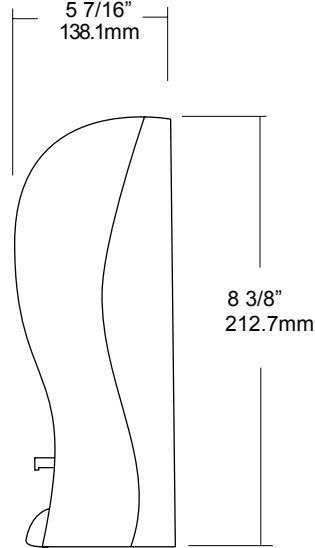
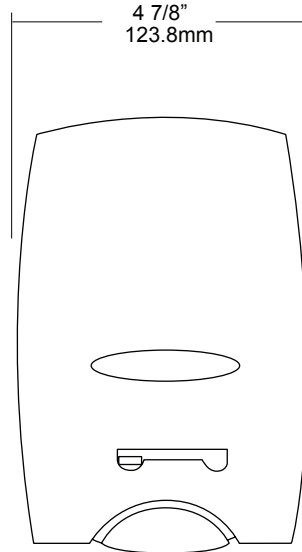
**U102**  
Soap Dispenser

JOB #:

ITEM #:

QUANTITY:

MOUNTING	HANDING	TYPE	SIZE	OTHER



**SPECIFICATIONS**

**Body / Tank:** Fabricated of high impact plastic with a cover that pivots forward to load in front for easy servicing with a viewer window to check fluid level.

**Dispensing Paddle:** Push lever for easy one hand operation that requires less than 5 lbs of force to operate. Sliding lever allows quick and easy switching from the empty box to the remaining full one.

**Valve:** Unit is equipped with a push valve assembly.

**Overall Size:** 4 7/8"W x 8 3/8"H x 5 7/16"D

**123.8mm x 212.7mm x 138.1mm**

**Capacity:** One (1) 1000 ml soap cassette.

**INSTALLATION**

If mounting on wall surface, transfer mounting hole dimensions from mounting plate to mounting surface. Drill pilot holes and secure unit to surface with proper fasteners. Dispensing bar cannot be any higher than 40" above finished floor to comply with ADA code. Load cassette of soap and place valve in location as noted. Close dispenser and test operation.

\*It is not recommended to mount any soap dispenser on mirrors

**NOTES**